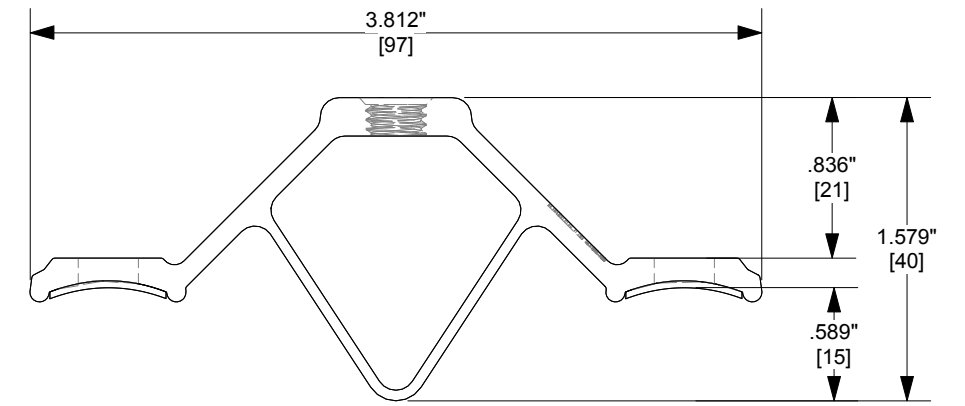
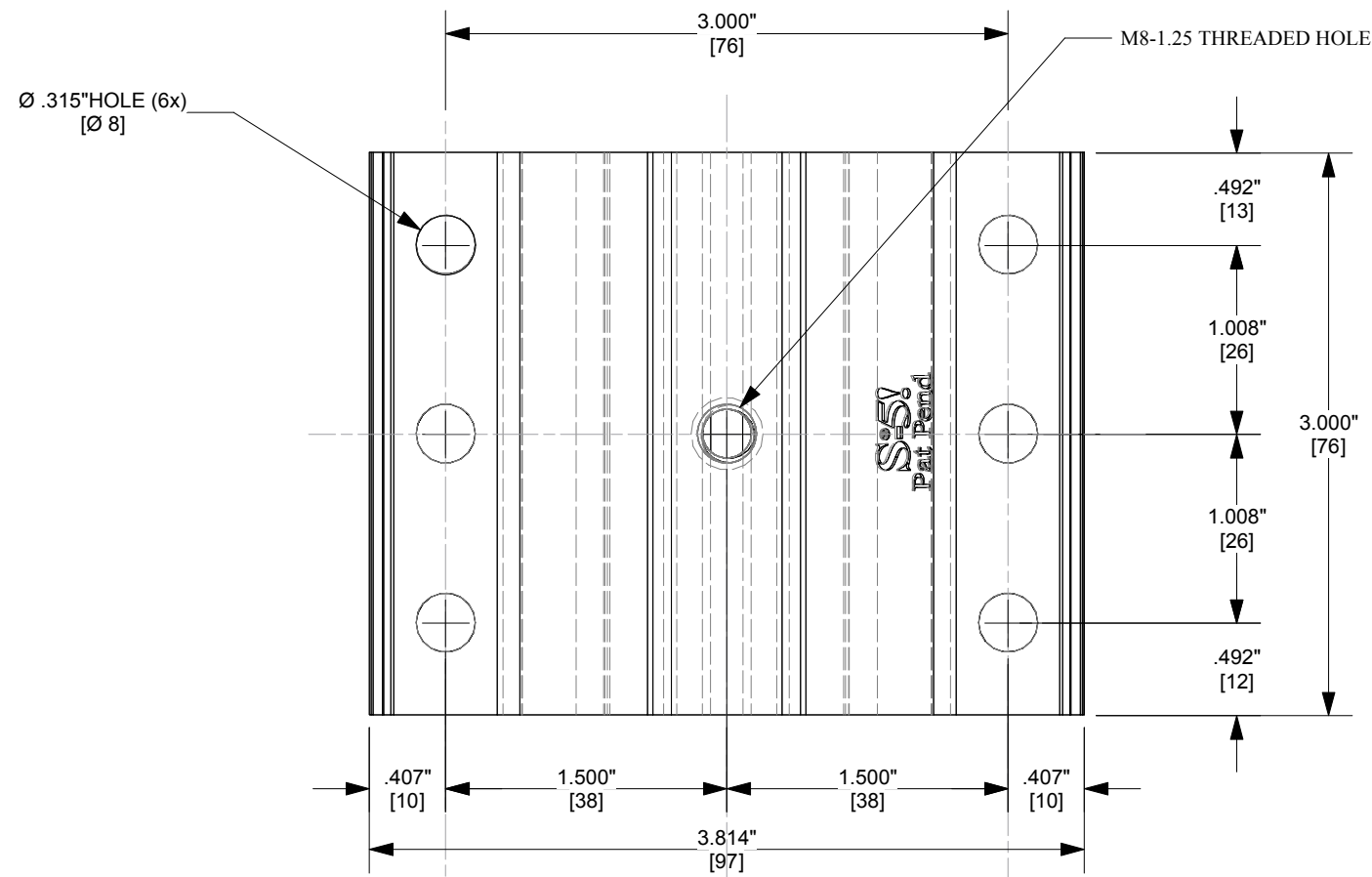
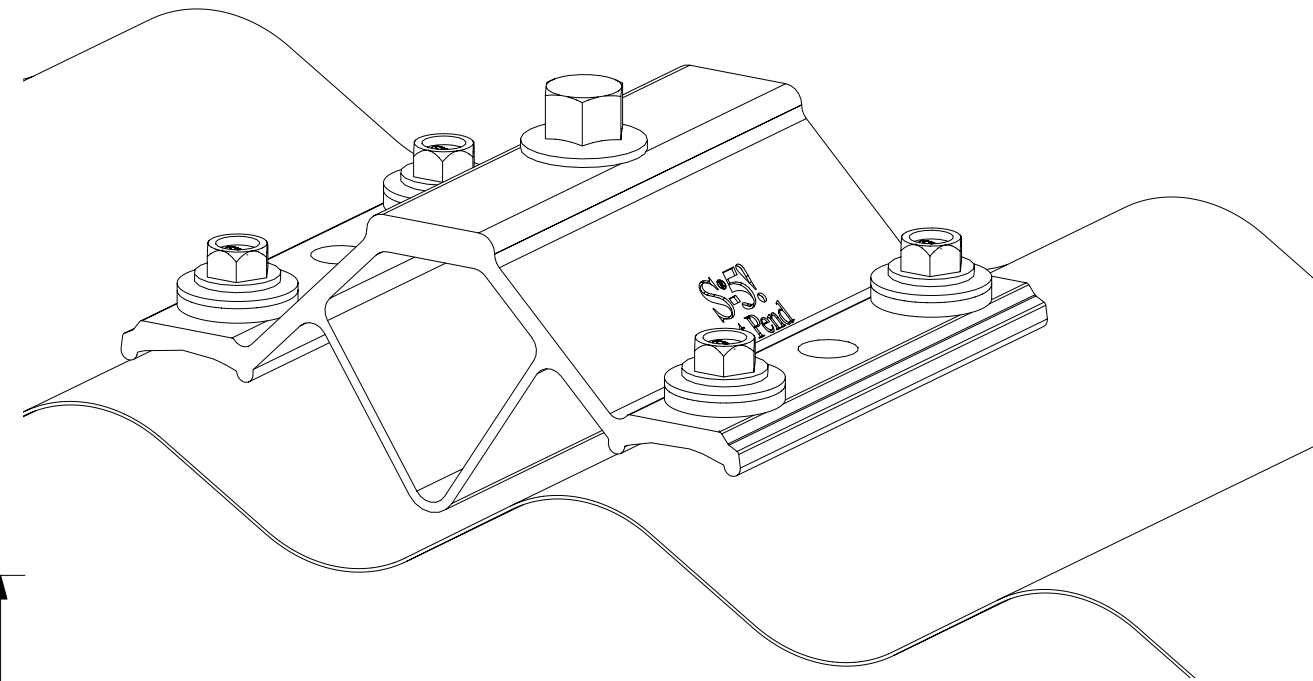


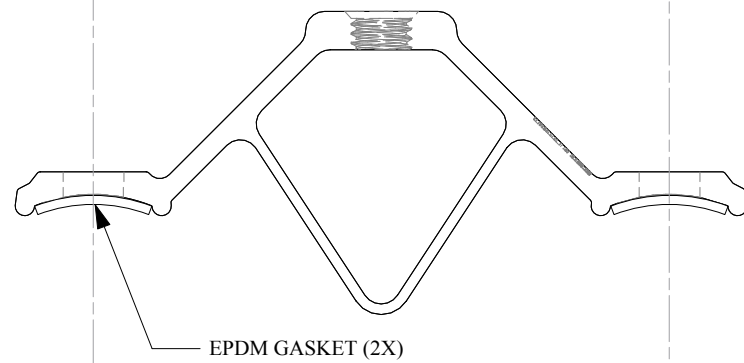
TOP VIEW



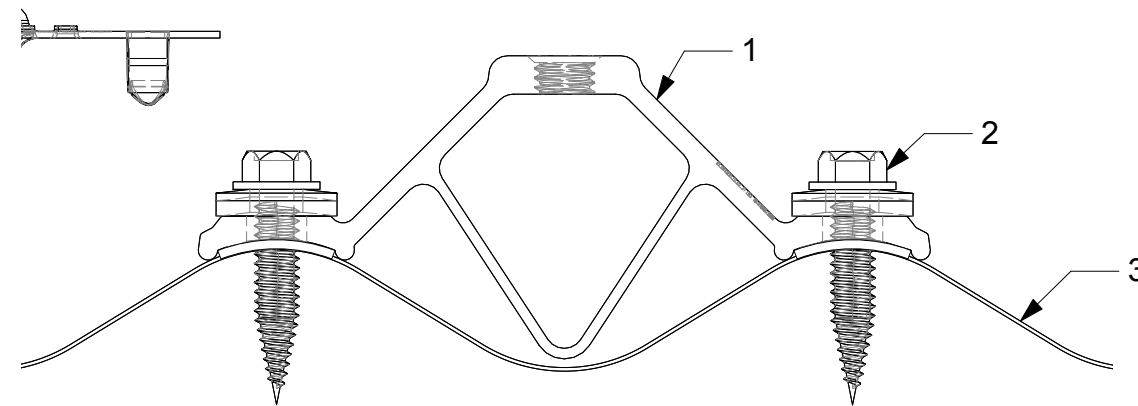
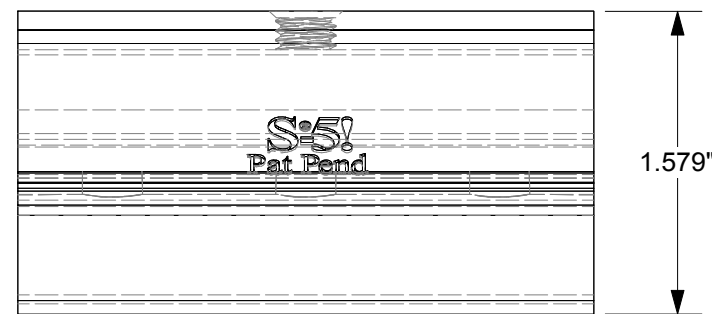
SCALE: 1:1



END VIEW



SIDE VIEW



Notes

1. TOP FIX AU CORRUBRACKET CLAMP
2. M6 BI-METAL SHEET SCREW
3. PANEL SAMPLE

MATERIAL: <b>6000 SERIES AL</b>	 <b>METAL ROOF INNOVATIONS, LTD.</b> 8655 TABLE BUTTE RD COLORADO SPRINGS, CO 80908 719-495-0518 719-495-0045 (FAX)		
EST ASSEMBLY WEIGHT : 0.2376 LBS			
SUPPLIED HARDWARE:	TITLE <b>TopFix CorruBracket-AU</b>		
SCALE: <b>FULL</b>	DRAWING NO. AU96-A-0-C_CCD	DRAWN BY DMMH	DATE 03/07/11
OTHER:	S-5!® PRODUCTS ARE PROTECTED BY MULTIPLE U.S. PATENTS INCLUDING 5,228,248, 5,983,588 AND 6,164,033 (OTHERS ISSUED AND PENDING). EUROPEAN PATENTS ARE ALSO APPLIED FOR AND PENDING UNDER THE PATENT COOPERATION TREATY WITH DIVISIONAL FILING RIGHTS RETAINED. METAL ROOF INNOVATIONS, LTD. (LICENSOR OF S-5!® TECHNOLOGY) AGGRESSIVELY PROSECUTES PATENT INFRINGEMENT.		