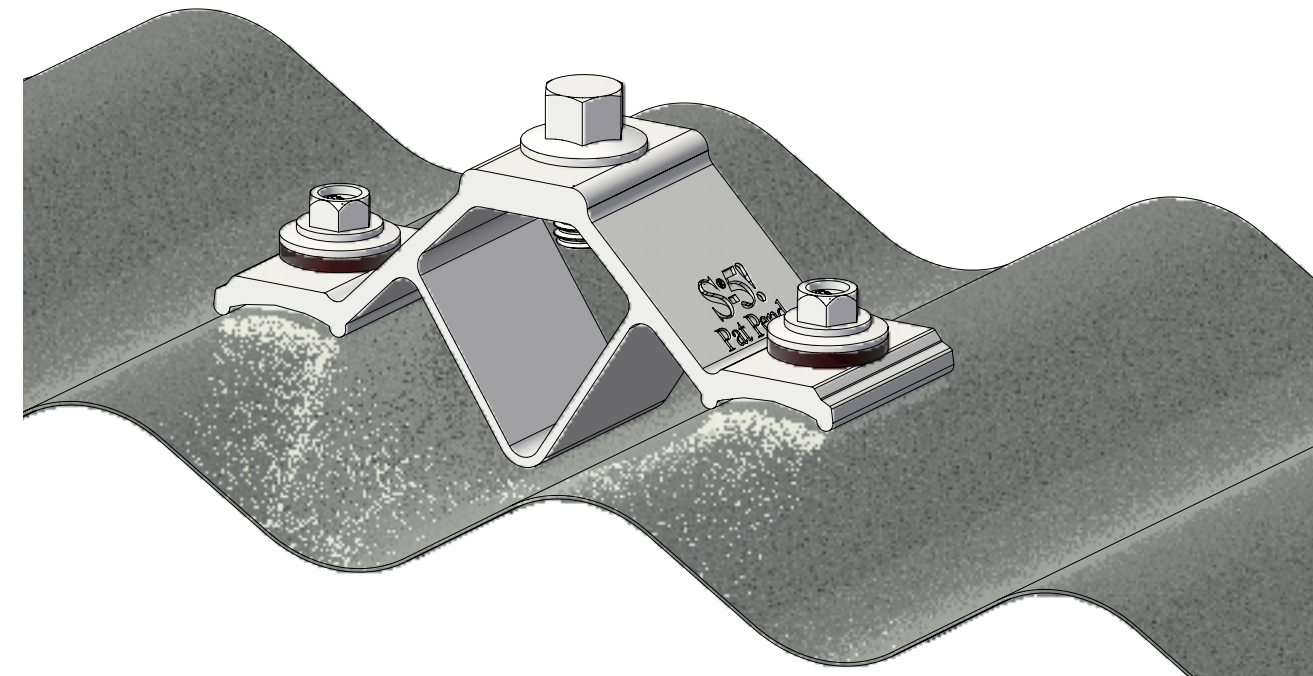


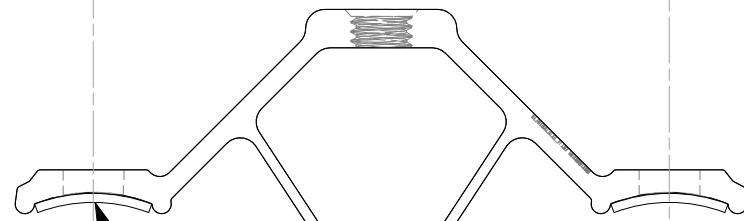
SCALE: 1:1



SIDE VIEW

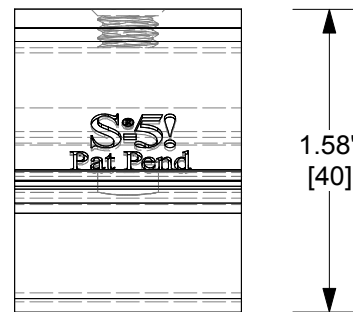


END VIEW



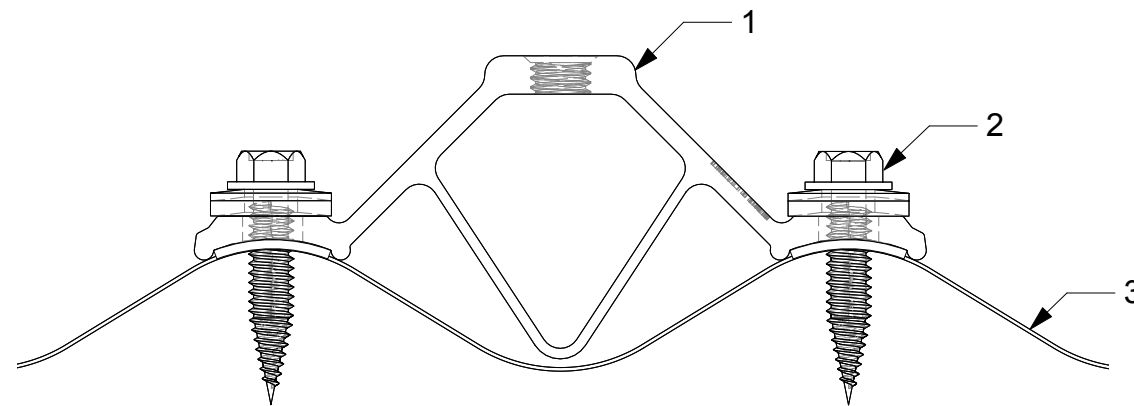
EPDM GASKET (2X)


SIDE VIEW



Notes

1. TOP FIX AU CORRUBRACKET
2. M6 Bi-Metal Self-Tapping 2x
3. PANEL SAMPLE



MATERIAL: 6000 SERIES AL	 S-5! The Right Way!			METAL ROOF INNOVATIONS, LTD.		
EST ASSEMBLY WEIGHT : 0.2376 LBS				8655 TABLE BUTTE RD		
SUPPLIED HARDWARE:				COLORADO SPRINGS, CO 80908		
				719-495-0518		
				719-495-0045 (FAX)		
TITLE	TopFix CorruBracket-AU					
DRAWING NO.	AU96-A-1-B_CCD	DRAWN BY	DMMH	DATE	03/07/11	
SCALE:	FULL					
OTHER:	S-5!® PRODUCTS ARE PROTECTED BY MULTIPLE U.S. PATENTS INCLUDING 5,228,248, 5,983,588 AND 6,164,033 (OTHERS ISSUED AND PENDING). EUROPEAN PATENTS ARE ALSO APPLIED FOR AND PENDING UNDER THE PATENT COOPERATION TREATY WITH DIVISIONAL FILING RIGHTS RETAINED. METAL ROOF INNOVATIONS, LTD. (LICENSOR OF S-5!® TECHNOLOGY) AGGRESSIVELY PROSECUTES PATENT INFRINGEMENT.					