

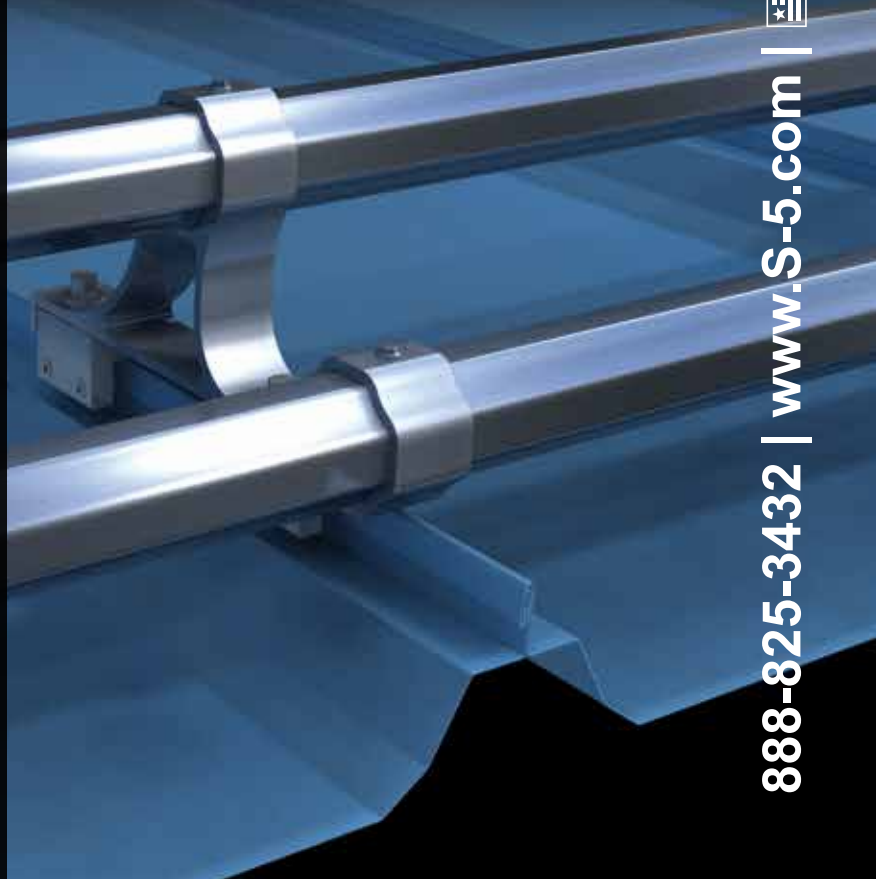
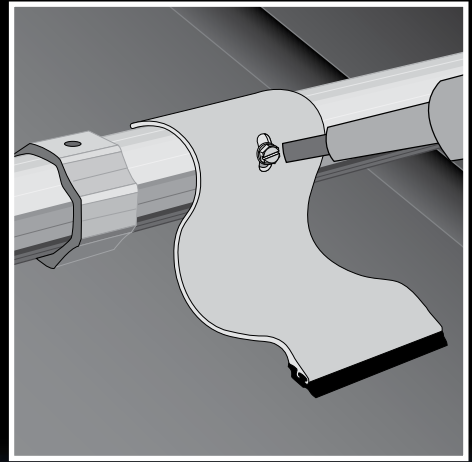
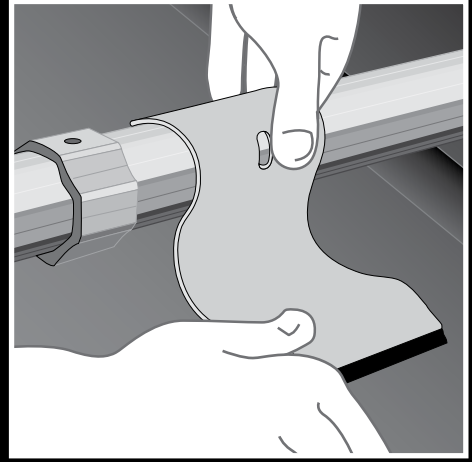
The right way to attach almost anything to metal roofs!

S-5![®]

The Right Way!

X-Clip[™]

X-Clip II[™] or X-Clip III[™] are optional components that can be added to your X-Gard 1.0 or X-Gard 2.0 snow retention system to further retard the migration of snow. X-Clip has a special integrated rubber "foot" to prevent abrasion of the panel's finish. It rests on the back of the NEX[®] 2.0 Pipe and extends down to the flat of the roofing panel.



X-Clip[™]

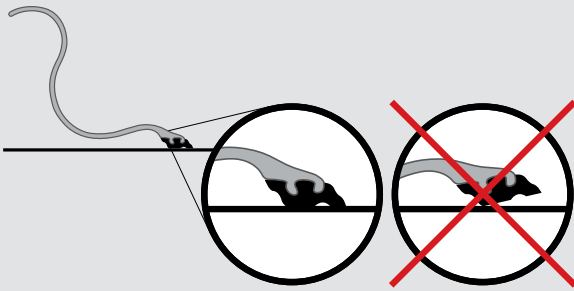


888-825-3432 | www.S-5.com |

X-Clip™ retards the migration of snow and ice when used on X-Gard™ snow retention systems.

Using X-Clip™

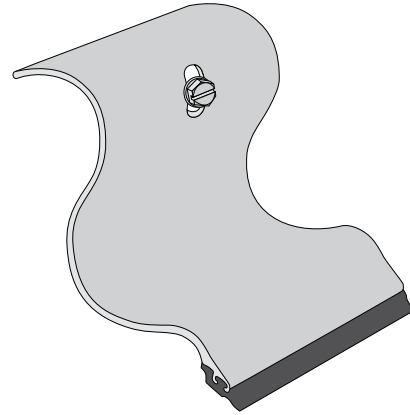
Snap the X-Clip™ onto your X-Gard™ NEX® 2.0 Pipe after installation. One or two clips are used between seams (please visit www.S-5.com for details). Mount the X-Clip to the back of the pipe. When applying downward pressure on the part, the “toe” should engage the surface of the panel just before the “heel.” Screw X-Clip into place utilizing the provided stainless steel self-drilling screw. Please note the X-Clip is not for use with a 1.9" round pipe.



Note: X-Clip should not be used on copper roofs.

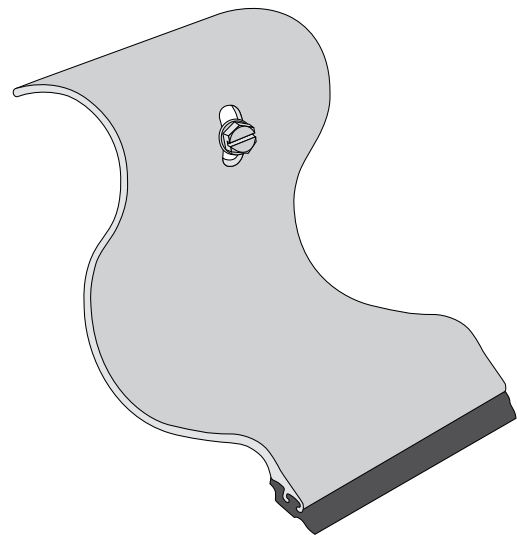
X-Clip II™

X-Clip II™ is especially made for seam heights of 1" (25 mm) and 1-3/4" (44.5 mm). It will also fit 2" (51 mm) vertical seams, but not 2" (51 mm) horizontal.



X-Clip III™

X-Clip III™ is designed for seam heights of 2" (51 mm) up to 3" (76 mm).



S-5![®] Warning! Please use this product responsibly!

Products are protected by multiple U.S. and foreign patents. For published data regarding holding strength, bolt torque, patents, and trademarks, visit the S-5! website at www.S-5.com.

Copyright 2015, Metal Roof Innovations, Ltd. S-5! products are patent protected. S-5! aggressively protects its patents, trademarks, and copyrights. Version 052115.

Distributed by