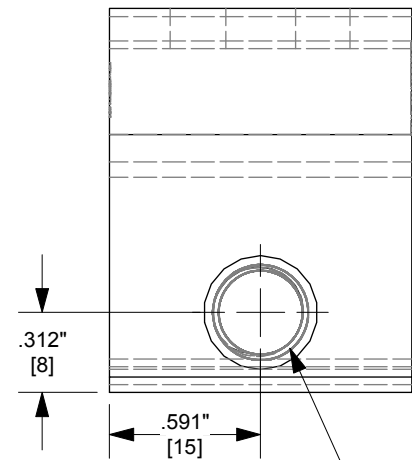
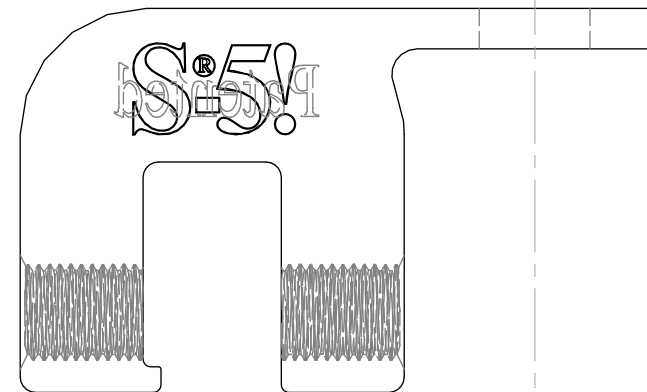


BACK

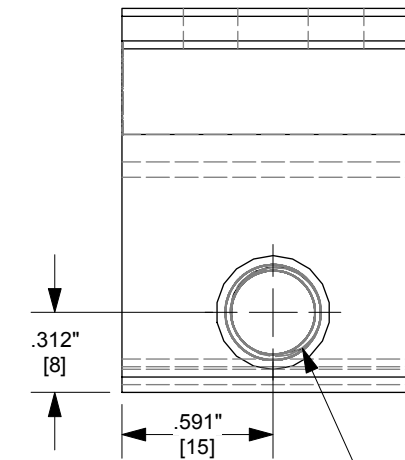


LEFT

3/8-24 THREADED HOLE



FRONT

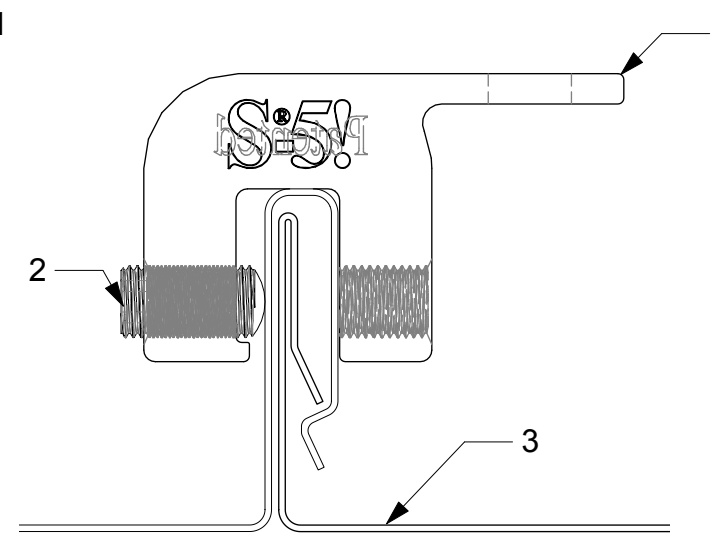
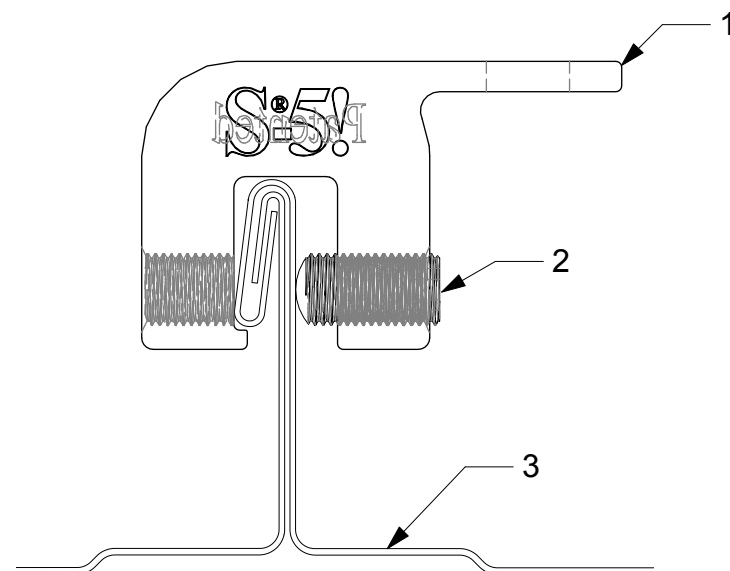


RIGHT

3/8-24 THREADED HOLE

Notes

1. S-5-U FLANGED CLAMP
2. 3/8-24 X .8" ROUND POINT SETSCREW
3. EXAMPLE PROFILE



MATERIAL:	6061 T6
EST ASSEMBLY WEIGHT :	
SUPPLIED HARDWARE:	3/8-24 x .8" Round Point Setscrew
SCALE:	
OTHER:	NA



METAL ROOF INNOVATIONS, LTD.
 8655 TABLE BUTTE RD
 COLORADO SPRINGS, CO 80908
 719-495-0518
 719-495-0045 (FAX)

TITLE Universal Flanged Clamp			
DRAWING NO.	USF81-A-0-A CCD	DRAWN BY	DMMH
		DATE	05/29/2013

S-5!® PRODUCTS ARE PROTECTED BY MULTIPLE U.S. PATENTS INCLUDING 5,228,248, 5,983,588 AND 6,164,033 (OTHERS ISSUED AND PENDING). EUROPEAN PATENTS ARE ALSO APPLIED FOR AND PENDING UNDER THE PATENT COOPERATION TREATY WITH DIVISIONAL FILING RIGHTS RETAINED. METAL ROOF INNOVATIONS, LTD. (LICENSOR OF S-5!® TECHNOLOGY) AGGRESSIVELY PROSECUTES PATENT INFRINGEMENT.