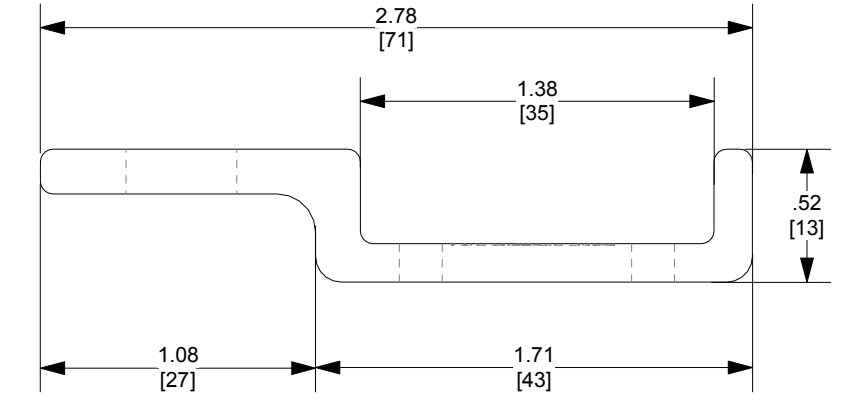
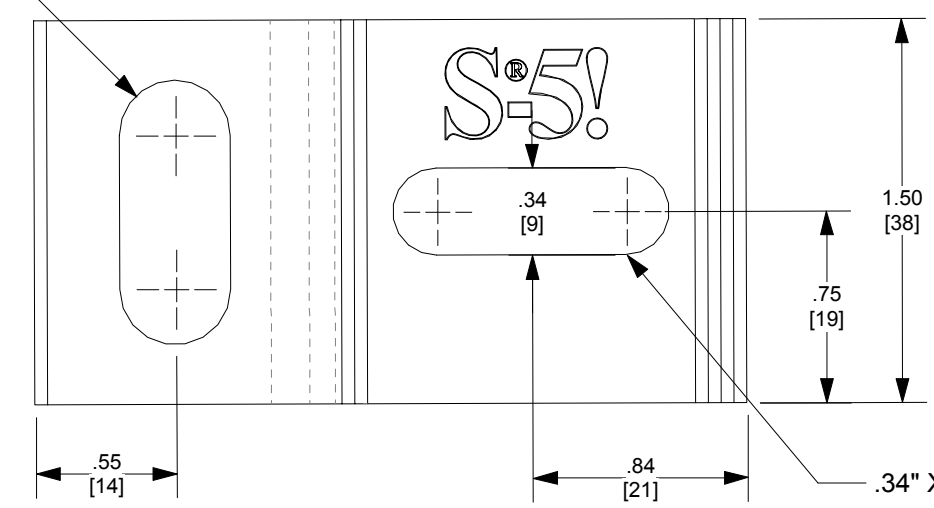
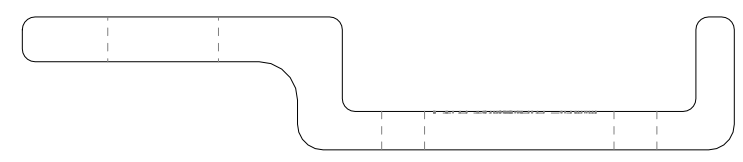


TOP

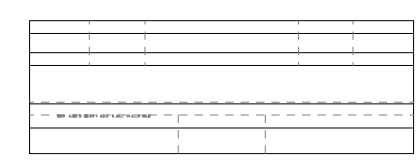
.43" X 1.0" SLOT



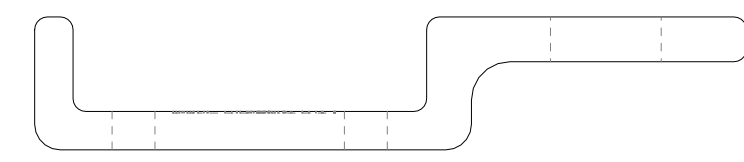
SCALE: 2X



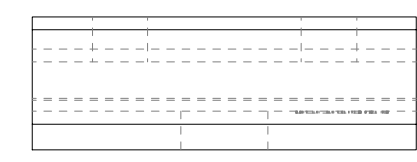
RIGHT



FRONT



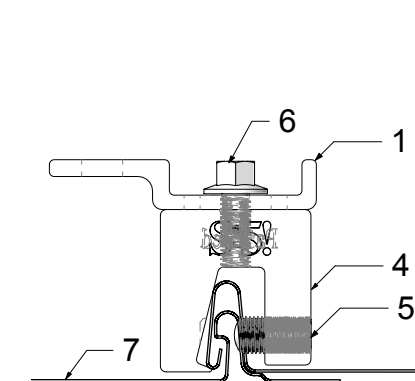
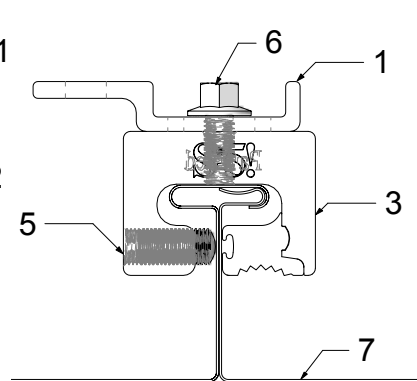
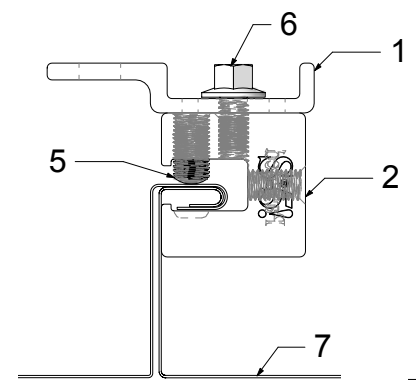
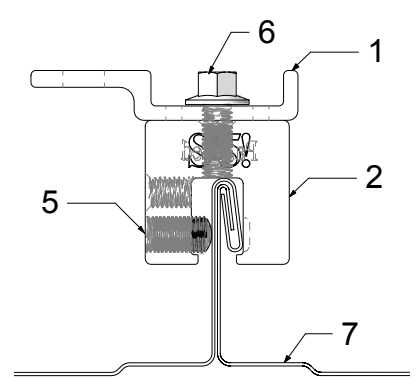
LEFT




BACK

**Notes**

1. Flange Strap
2. S-5-U mini Clamp
3. S-U-T mini Clamp
4. S-5-N mini Clamp
5. 3/8-24 X .8" ROUND POINT SETSCREW
6. M8-1.25 X 16MM HEX FLANGE BOLT
7. EXAMPLE PROFILE



MATERIAL:	<b>6061 T6</b>
EST ASSEMBLY WEIGHT :	<b>0.006 LBS</b>
SUPPLIED HARDWARE:	
SCALE:	<b>1:0.75</b>
OTHER:	

 <b>The Right Way!</b>	METAL ROOF INNOVATIONS, LTD. 8655 TABLE BUTTE RD COLORADO SPRINGS, CO 80908 719-495-0518 719-495-0045 (FAX)		
	TITLE: <b>Flange Strap</b>		
DRAWING NO. <b>FS18-B 2013</b>	DRAWN BY <b>MS</b>	DATE <b>06/25/2013</b>	
S-5!® PRODUCTS ARE PROTECTED BY MULTIPLE U.S. PATENTS INCLUDING 5,228,248, 5,983,588 AND 6,164,033 (OTHERS ISSUED AND PENDING). EUROPEAN PATENTS ARE ALSO APPLIED FOR AND PENDING UNDER THE PATENT COOPERATION TREATY WITH DIVISIONAL FILING RIGHTS RETAINED. METAL ROOF INNOVATIONS, LTD. (LICENSOR OF S-5!® TECHNOLOGY) AGGRESSIVELY PROSECUTES PATENT INFRINGEMENT.			