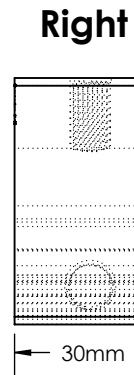
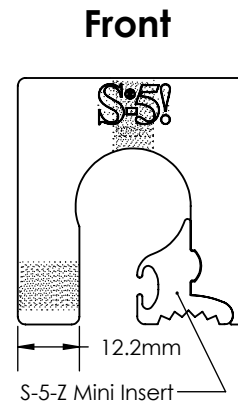
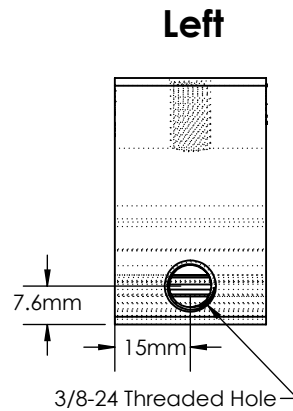
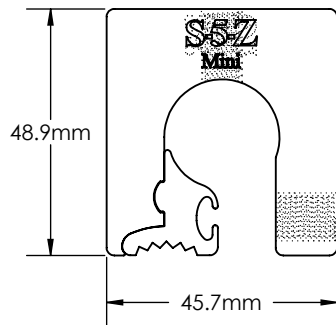
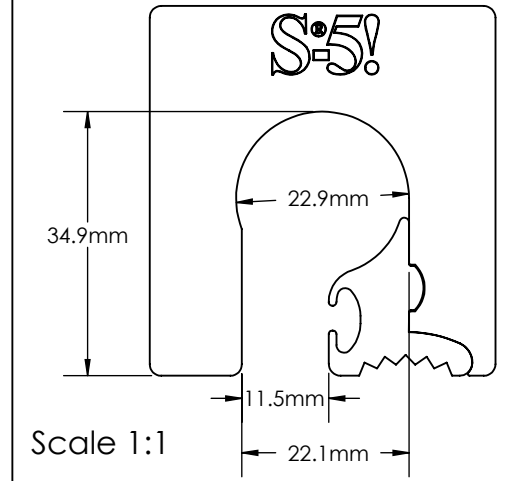
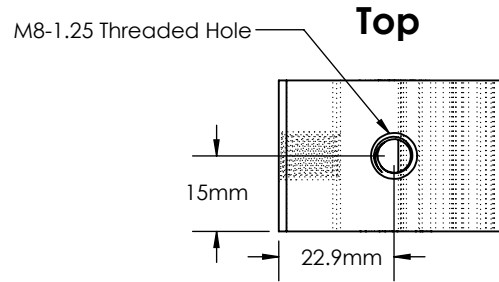
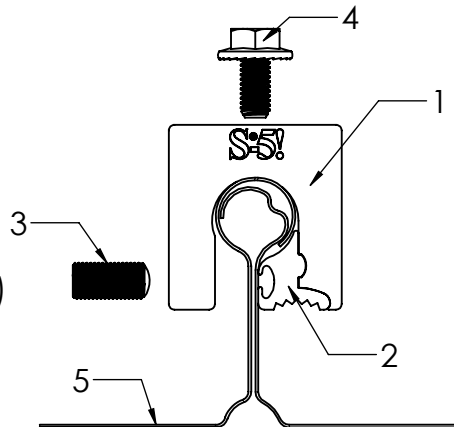


# S-5-Z Mini



## General Notes:

1. S-5-Z Mini Clamp
2. S-5-Z Mini Insert
3. 3/8-24 SS Round Point Setscrew (3/16 Hex Drive)
4. M8-1.25 SS Hex Flange Bolt (13mm Socket)
5. Example Roof



**FOR STANDING SEAM SPECIFIC MECHANICAL LOAD TEST INFORMATION AND CLAMP INSTALLATION INFORMATION PLEASE VISIT: [WWW.S-5.COM](http://WWW.S-5.COM)**

MATERIAL: 6061 T6 Al			METAL ROOF INNOVATIONS, LTD. 8655 TABLE BUTTE RD COLORADO SPRINGS, CO 80908 719-495-0518 719-495-0045(FAX)	
EST ASSEMBLY WEIGHT: 149.23 g				
SUPPLIED HARDWARE: M8-1.25 x 16 mm Bolt 3/8-24 x .800" Setscrew	TITLE S-5-Z Mini			
SCALE: 1:1.5	DRAWING NO. Z12-A-1-C	DRAWN BY Kati Kadakas	DATE 4/12/2016	
EST. WEIGHT: Clamp: 112.49 g Insert: 13.38 g Setscrew: 7.71 g Bolt: 15.65 g	S-5!® PRODUCTS ARE PROTECTED BY MULTIPLE U.S. AND FOREIGN PATENTS. VISIT OUR WEBSITE AT <a href="http://WWW.S-5.COM">WWW.S-5.COM</a> FOR COMPLETE INFORMATION ON PATENTS AND TRADEMARKS.			