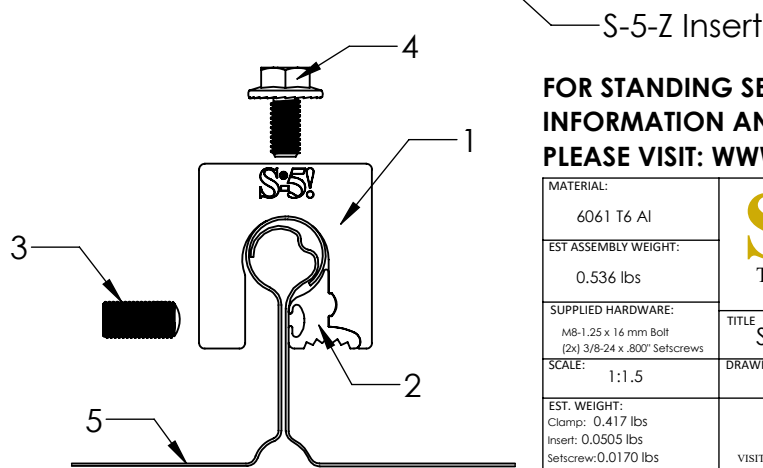
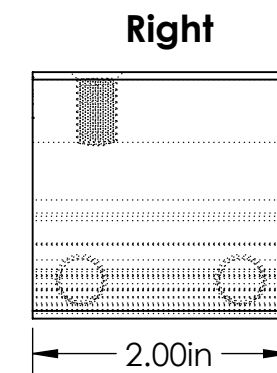
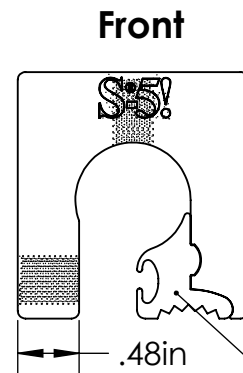
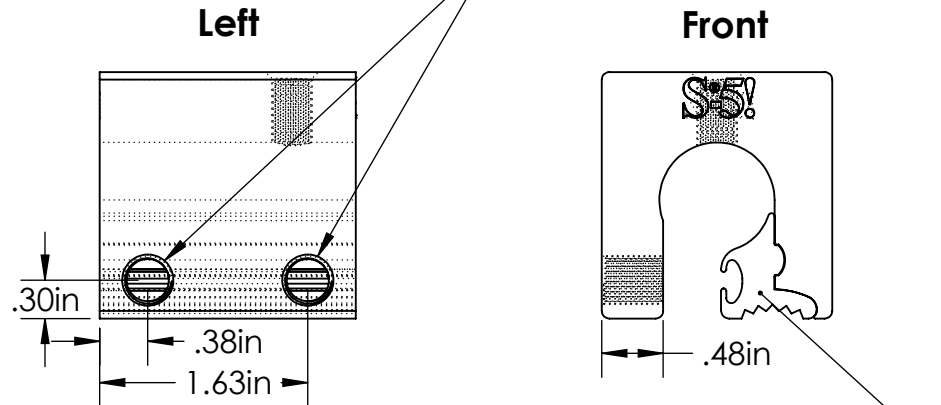
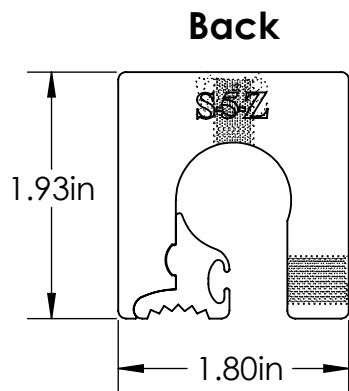
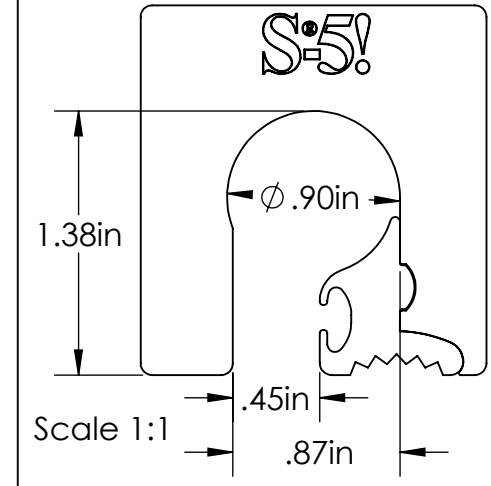
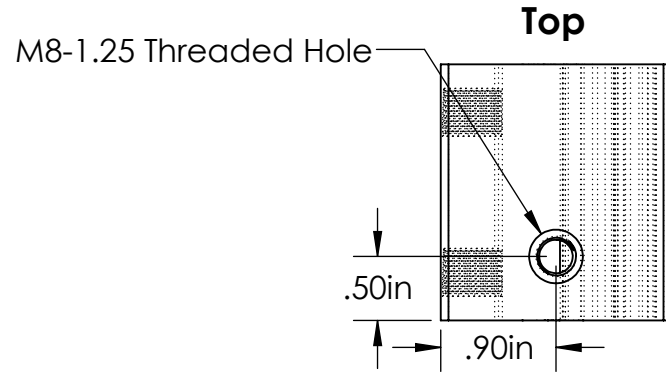
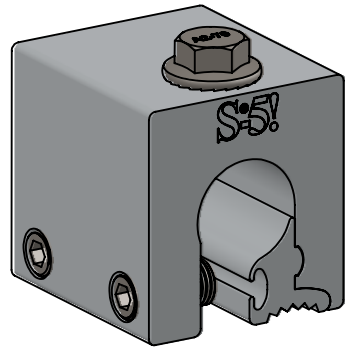



S-5-Z



General Notes:

1. S-5-Z Clamp
2. S-5-Z Insert
3. 3/8-24 SS Round Point Setscrew (3/16 Hex Drive)
4. M8-1.25 SS Hex Flange Bolt (13mm Socket)
5. Example Roof

FOR STANDING SEAM SPECIFIC MECHANICAL LOAD TEST INFORMATION AND CLAMP INSTALLATION INFORMATION PLEASE VISIT: WWW.S-5.COM

MATERIAL: 6061 T6 Al			METAL ROOF INNOVATIONS, LTD. 8655 TABLE BUTTE RD COLORADO SPRINGS, CO 80908 719-495-0518 719-495-0045(FAX)	
EST ASSEMBLY WEIGHT: 0.536 lbs			TITLE S-5-Z	
SUPPLIED HARDWARE: M8-1.25 x 16 mm Bolt (2x) 3/8-24 x .800" Setscrews	DRAWING NO. Z12-A-8-C	DRAWN BY Kati Kadakas		
SCALE: 1:1.5				
EST. WEIGHT: Clamp: 0.417 lbs Insert: 0.0505 lbs Setscrew: 0.0170 lbs Bolt: 0.0345 lbs	S-5!® PRODUCTS ARE PROTECTED BY MULTIPLE U.S. AND FOREIGN PATENTS. VISIT OUR WEBSITE AT WWW.S-5.COM FOR COMPLETE INFORMATION ON PATENTS AND TRADEMARKS.			