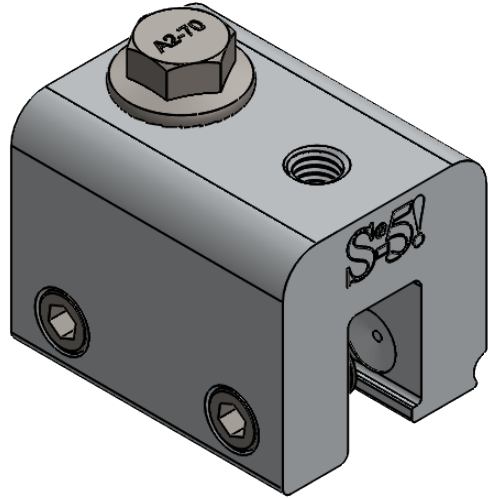
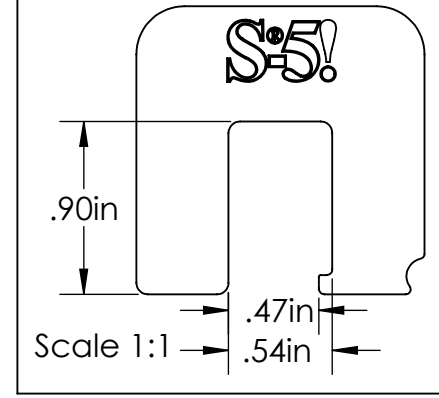
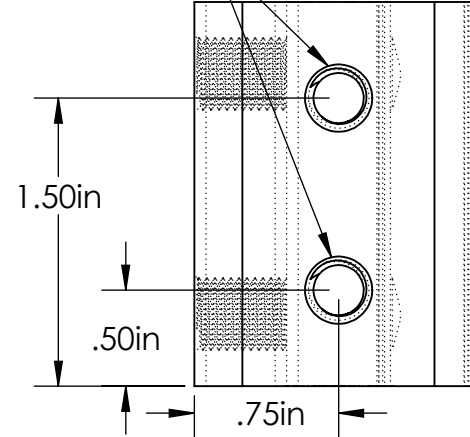


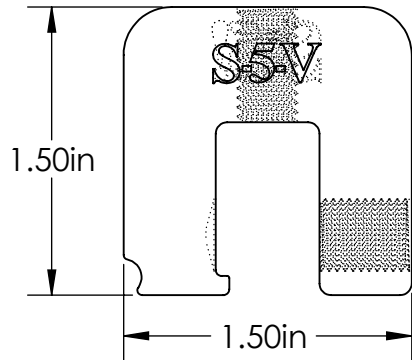
# S-5-V



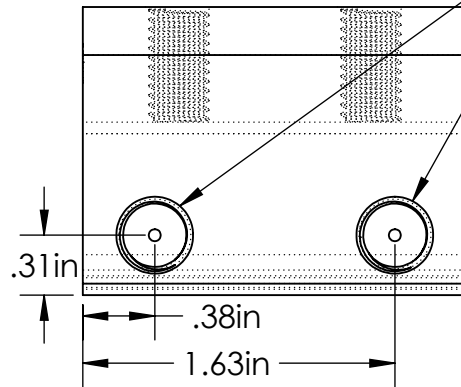
M8-1.25 Threaded Hole **Top**



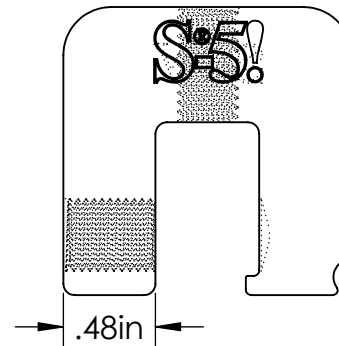
**Back**



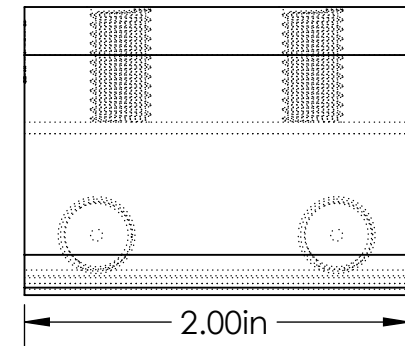
**Left**



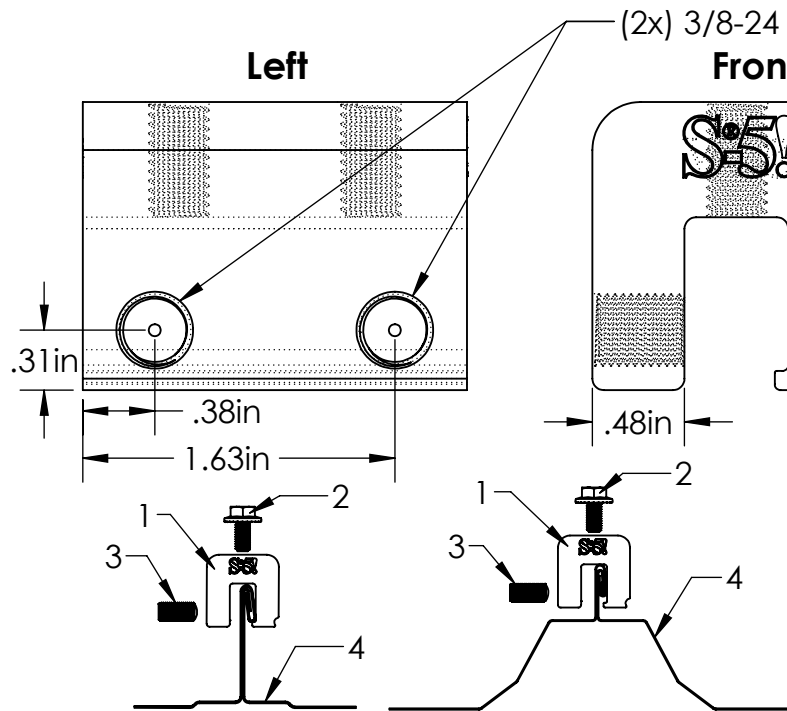
**Front**



**Right**




(2x) 3/8-24 Threaded Hole



General Notes:

1. S-5-V Clamp
2. M8-1.25 SS Hex Flange Bolt (13mm Socket)
3. 3/8-24 SS Round Point Setscrew (3/16 Hex Drive)
4. Example roof

**FOR STANDING SEAM SPECIFIC MECHANICAL LOAD TEST INFORMATION AND CLAMP INSTALLATION INFORMATION PLEASE VISIT: [WWW.S-5.COM](http://WWW.S-5.COM)**

MATERIAL: 6061 T6 Al			METAL ROOF INNOVATIONS, LTD. 8655 TABLE BUTTE RD COLORADO SPRINGS, CO 80908 719-495-0518 719-495-0045(FAX)	
EST ASSEMBLY WEIGHT: 0.382 lbs			TITLE S-5-V	
SUPPLIED HARDWARE: M8-1.25 x 1.6 mm Bolt (2x) 3/8-24 x .800" Setscrews	DRAWING NO. V07-A-0-D	DRAWN BY Kati Kadakas	DATE 4/11/2016	
SCALE: 1:1	EST. WEIGHTS: Clamp: 0.313 lbs Setscrew: 0.0170 lbs Bolt: 0.0345 lbs			
S-5® PRODUCTS ARE PROTECTED BY MULTIPLE U.S. AND FOREIGN PATENTS. VISIT OUR WEBSITE AT <a href="http://WWW.S-5.COM">WWW.S-5.COM</a> FOR COMPLETE INFORMATION ON PATENTS AND TRADEMARKS.				