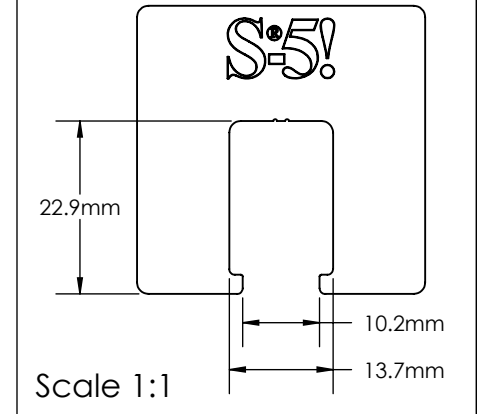
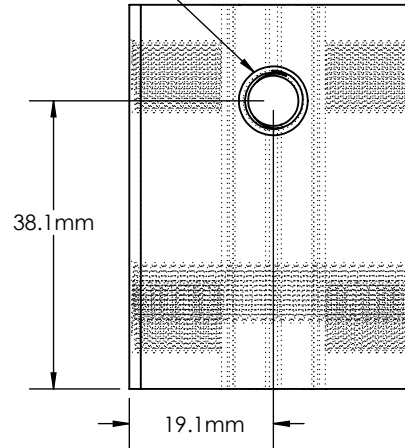
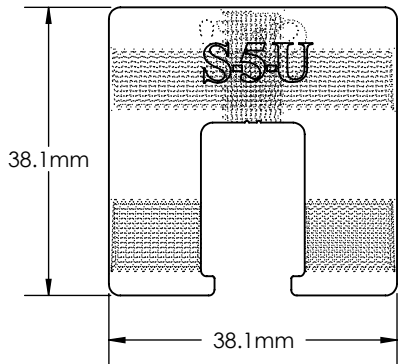


S-5-U

M8-1.25 Threaded Hole **Top**

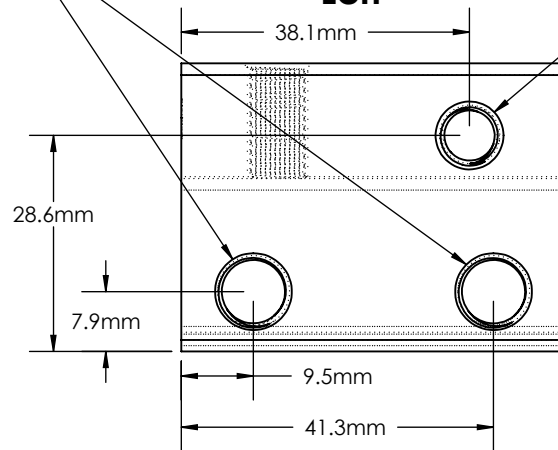


Back

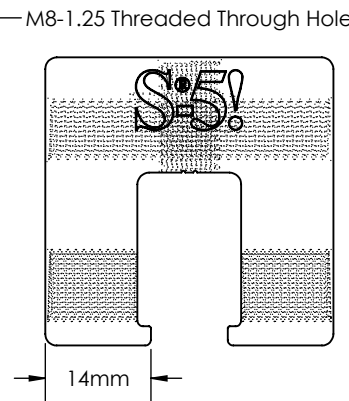


(2x) 3/8-24 Threaded Hole

Left

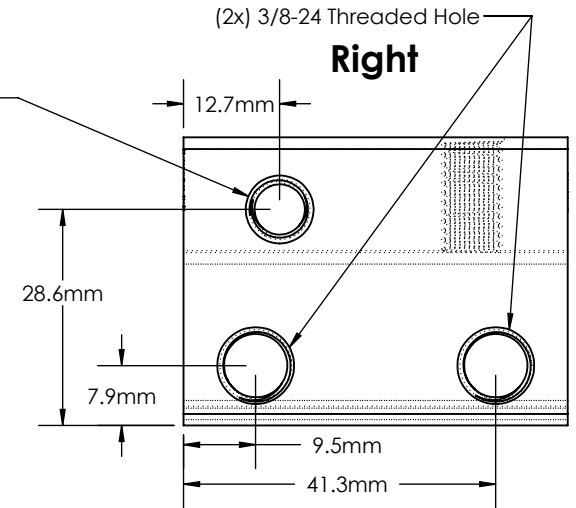


Front



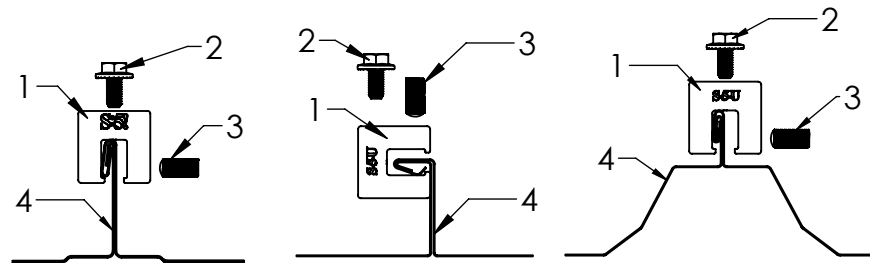
M8-1.25 Threaded Through Hole

Right



General Notes:

1. S-5-U Clamp
2. M8-1.25 SS Hex Flange Bolt (13mm Socket)
3. 3/8-24 SS Round Point Setscrew (3/16 Hex Drive)
4. Example roof



FOR STANDING SEAM SPECIFIC MECHANICAL LOAD TEST INFORMATION AND CLAMP INSTALLATION INFORMATION PLEASE VISIT: WWW.S-5.COM

MATERIAL: 6061 T6 Al	 The Right Way!		METAL ROOF INNOVATIONS, LTD. 8655 TABLE BUTTE RD COLORADO SPRINGS, CO 80908 719-495-0518 719-495-0045(FAX)	
EST ASSEMBLY WEIGHT: 168.96 g			TITLE S-5-U	DRAWING NO. U11-B-16-D
SUPPLIED HARDWARE: M8-1.25 x 16 mm HEX Bolt (2x) 3/8-24 x .800" Setscrews	SCALE: 1:1	EST. WEIGHT: Clamp: 137.89 g Setscrew: 7.71 g Bolt: 15.65 g		

S-5!® PRODUCTS ARE PROTECTED BY MULTIPLE U.S. AND FOREIGN PATENTS. VISIT OUR WEBSITE AT WWW.S-5.COM FOR COMPLETE INFORMATION ON PATENTS AND TRADEMARKS.