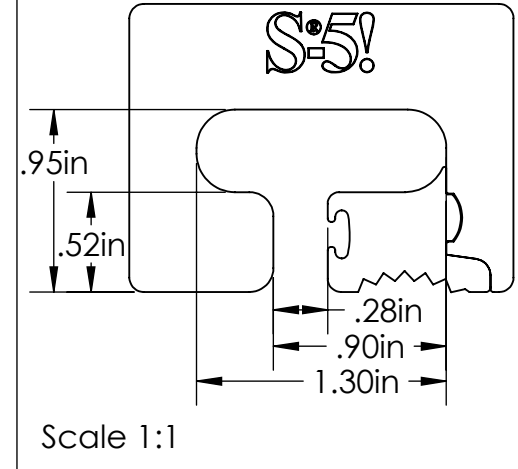
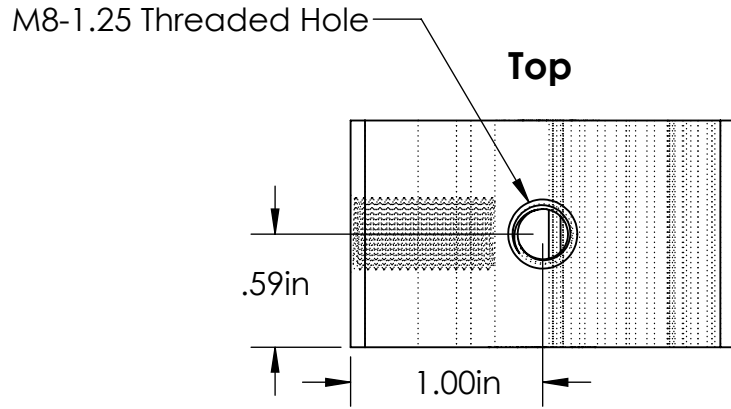
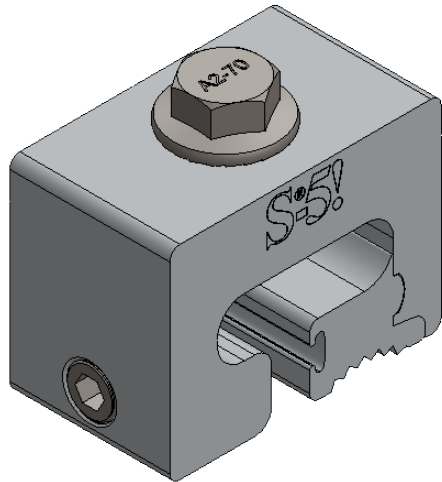
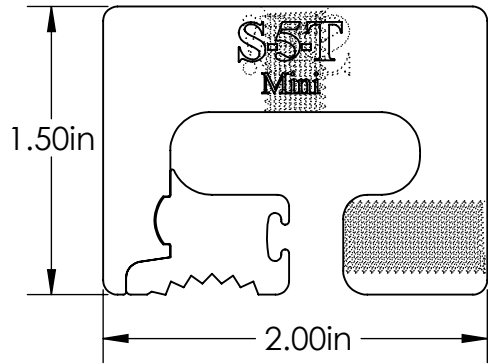


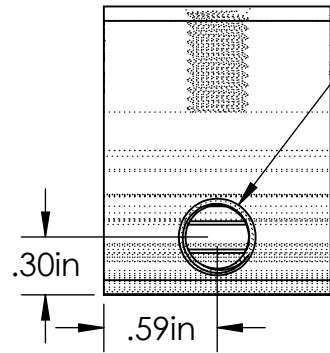
S-5-T Mini



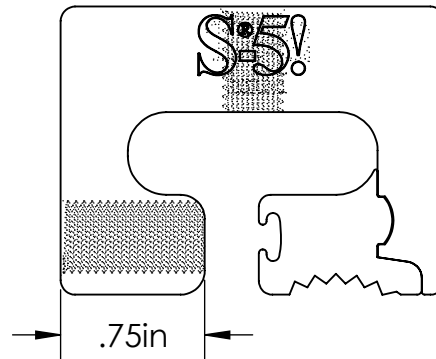
Back



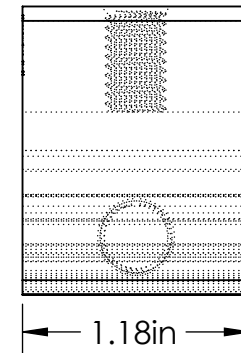
Left



Front

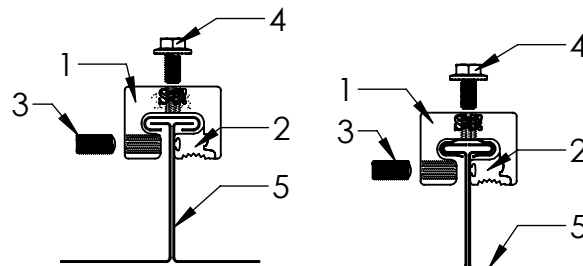


Right



General Notes:

1. S-5-T Mini Clamp
2. S-5-T Mini Insert
3. 3/8-24 Stainless Steel Round Point Setscrew (3/16 Hex Drive)
4. M8-1.25 Stainless Steel Hex Flange Bolt (13mm Socket)
5. Example roof



FOR STANDING SEAM SPECIFIC MECHANICAL LOAD TEST INFORMATION AND CLAMP INSTALLATION INFORMATION PLEASE VISIT: WWW.S-5.COM

MATERIAL: 6061 T6 Al			METAL ROOF INNOVATIONS, LTD. 8655 TABLE BUTTE RD COLORADO SPRINGS, CO 80908 719-495-0518 719-495-0045(FAX)	
EST ASSEMBLY WEIGHT: 0.302 lbs			TITLE S-5-T Mini	
SUPPLIED HARDWARE: M8-1.25 x 16 mm Bolt 3/8-24 x .800" Setscrew		SCALE: 1:1		DRAWING NO. T09-A-1-C
EST. WEIGHT: Clamp: 0.212 lbs Insert: 0.0381 lbs Setscrew: 0.0170 lbs Bolt: 0.0345 lbs		DRAWN BY Kati Kadakas	DATE 4/11/2016	
S-5® PRODUCTS ARE PROTECTED BY MULTIPLE U.S. AND FOREIGN PATENTS. VISIT OUR WEBSITE AT WWW.S-5.COM FOR COMPLETE INFORMATION ON PATENTS AND TRADEMARKS.				