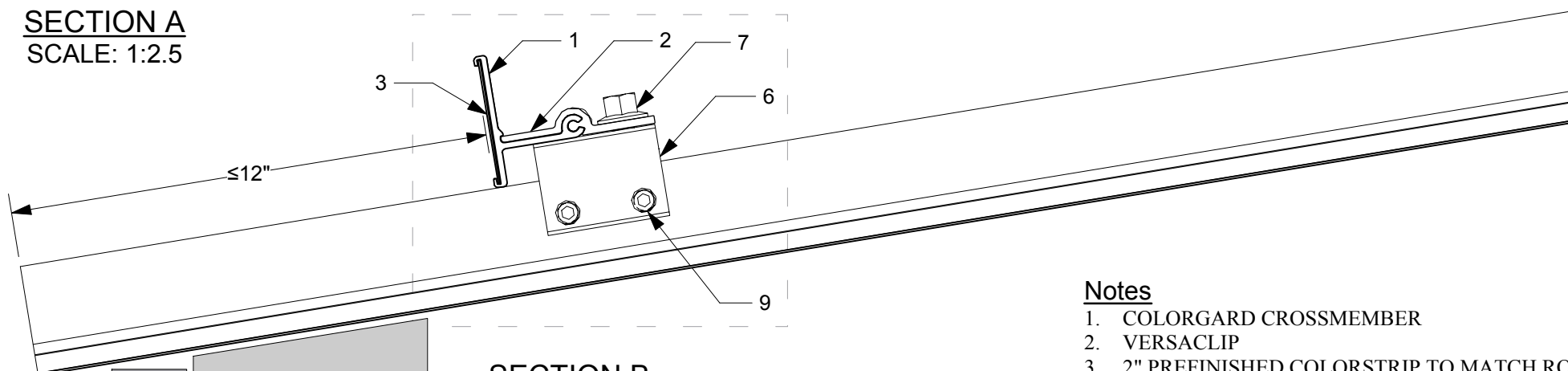
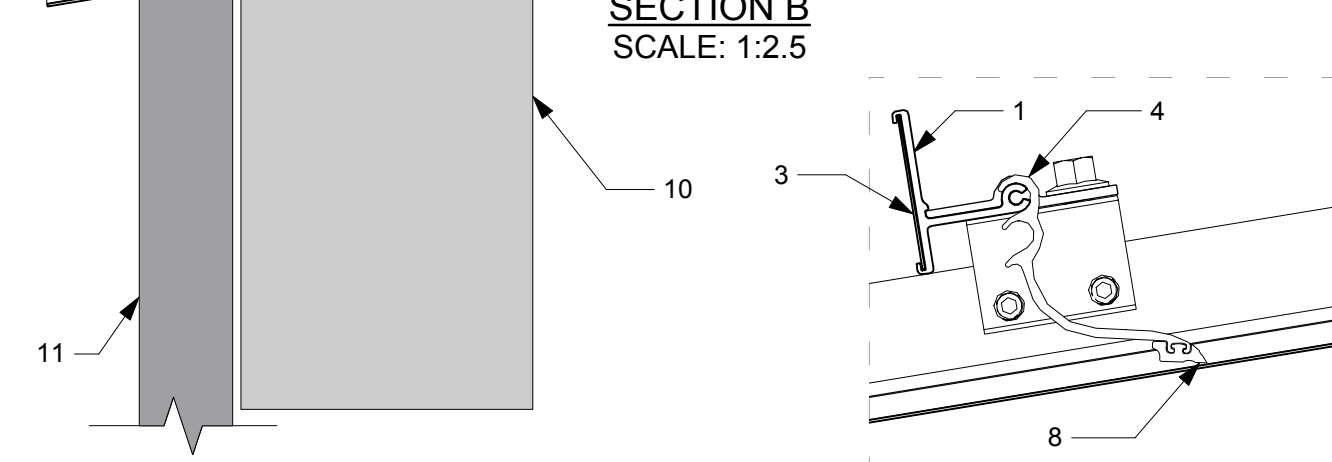


**SECTION A**  
SCALE: 1:2.5



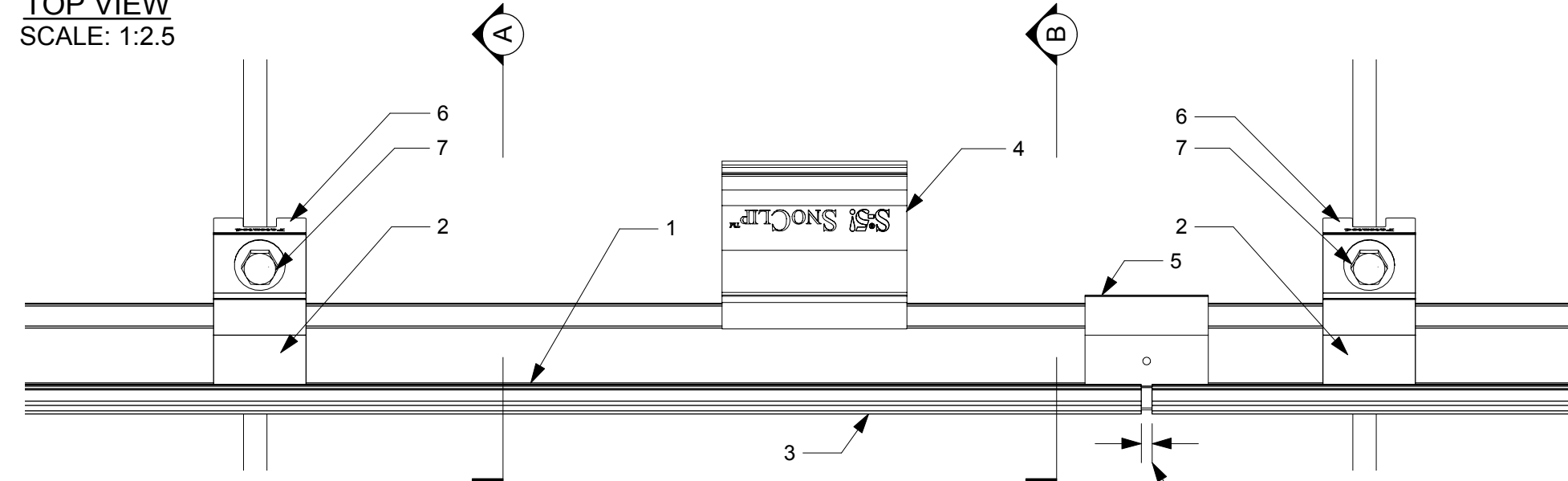
**SECTION B**  
SCALE: 1:2.5



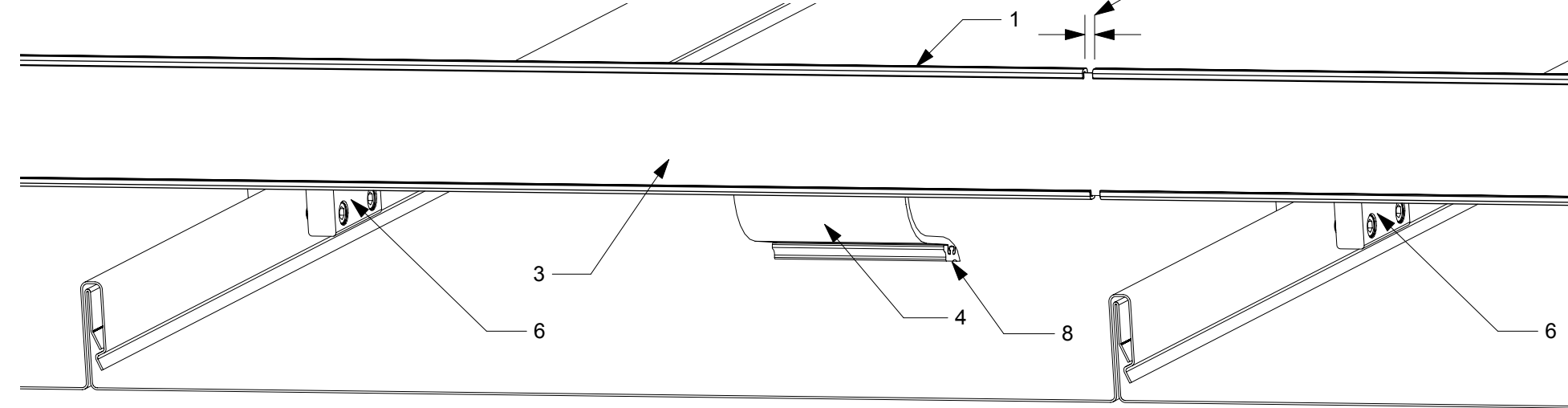
**Notes**

1. COLORGARD CROSSMEMBER
2. VERSACLIP
3. 2" PREFINISHED COLORSTRIP TO MATCH ROOF (BY OTHERS)
4. SNOCLIP BETWEEN ROOF SEAMS (VERIFY SNOCLIP MODEL WITH ROOF SEAM HEIGHT)
5. COLORGARD SPLICE
6. S-5-S CLAMP
7. M10-1.5 x 0.62" HEX FLANGE BOLT
8. RUBBER FOOT TOE
9. 3/8-24 x 0.8" ROUND POINT SETSCREW
10. EAVE STRUCTURE
11. SIDING MATERIAL
12. SPACE FOR THERMAL EXPANSION

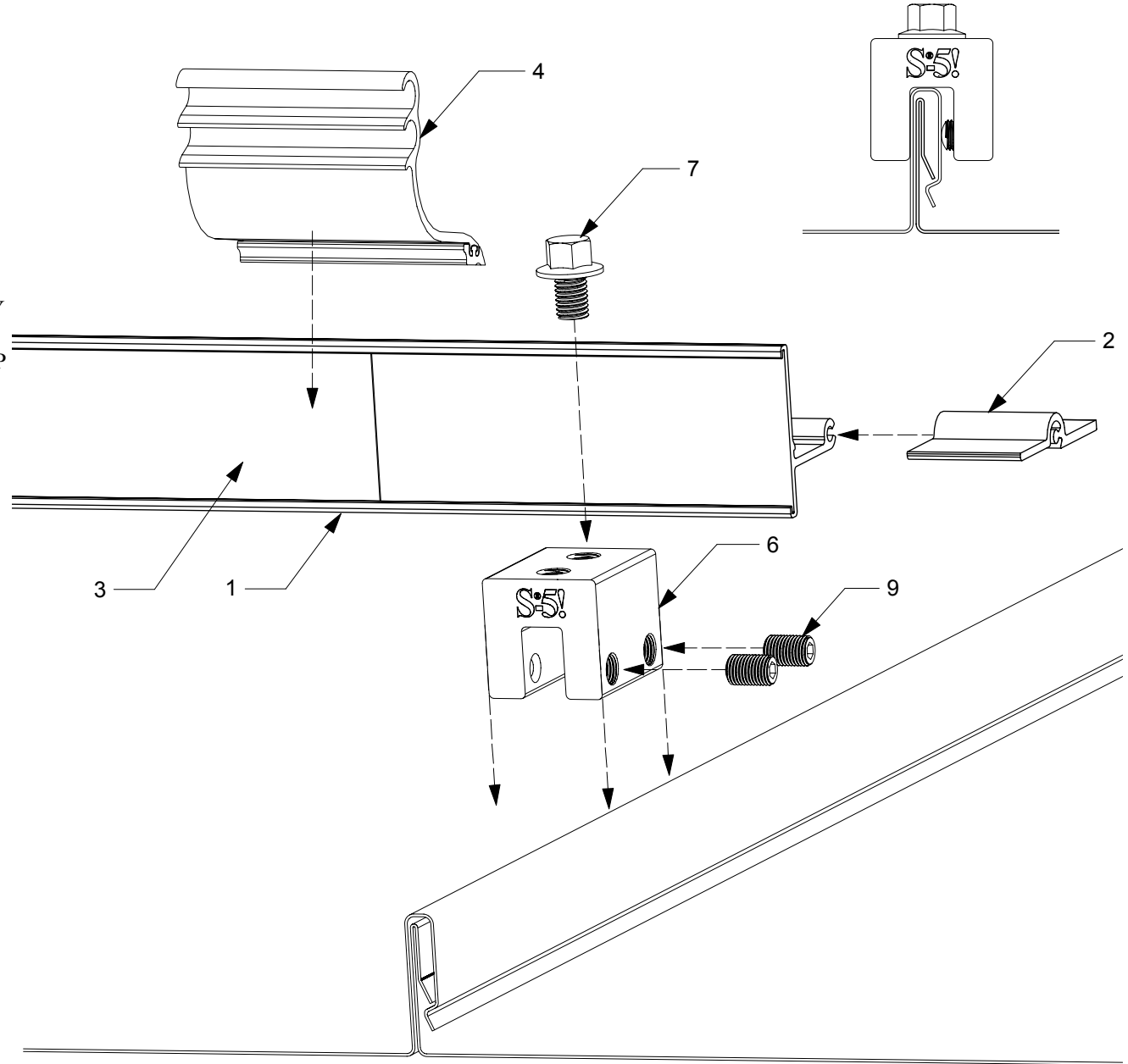
**TOP VIEW**  
SCALE: 1:2.5



**ASSEMBLY**  
SCALE: 1:2.5



**COMPONENTS**  
SCALE: 1:2



DRAWING TITLE:  
**S-5-S**  
**ColorGard Assembly**

DRAWING NUMBER:  
**S-5-SCG 100**

ISSUE DATE:  
September 18, 2013

CLAMP: <b>S-5-S</b>	CLAMP WEBPAGE: <a href="http://www.s-5.com/clamps/index_1406.cfm">http://www.s-5.com/clamps/index_1406.cfm</a>	METAL ROOF INNOVATIONS, LTD. 8655 TABLE BUTTE RD COLORADO SPRINGS, CO 80908 719-495-0518 888-825-3432 <a href="http://www.S-5.com">www.S-5.com</a>
CROSS MEMBER: <b>Unpunched ColorGard</b>	CROSS MEMBER WEBPAGE: <a href="http://www.s-5.com/snow/index_1146.cfm">http://www.s-5.com/snow/index_1146.cfm</a>	
CALCULATOR: <b>Calculator</b>	CALCULATOR WEBPAGE: <a href="http://www.s-5.com/calculator/index.cfm">http://www.s-5.com/calculator/index.cfm</a>	

S-5!® PRODUCTS ARE PROTECTED BY MULTIPLE U.S. PATENTS INCLUDING 5,228,248, 5,983,588 AND 6,164,033 (OTHERS ISSUED AND PENDING). EUROPEAN PATENTS ARE ALSO APPLIED FOR AND PENDING UNDER THE PATENT COOPERATION TREATY WITH DIVISIONAL FILING RIGHTS RETAINED. METAL ROOF INNOVATIONS, LTD. (LICENSOR OF S-5!® TECHNOLOGY) AGGRESSIVELY PROSECUTES PATENT INFRINGEMENT.