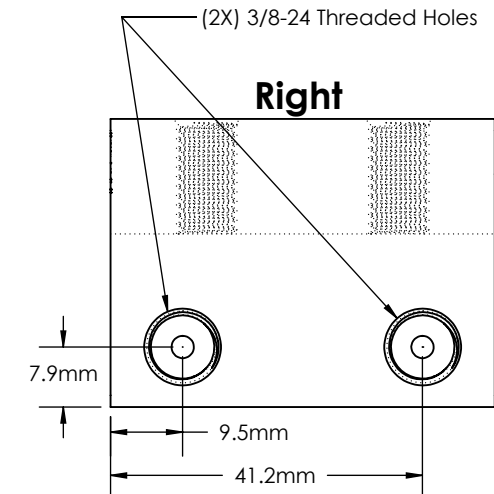
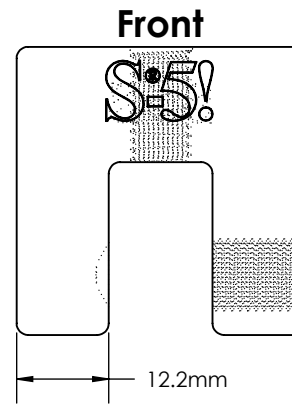
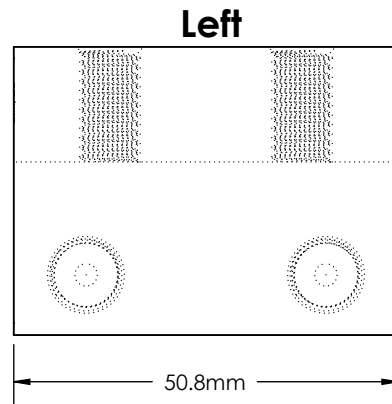
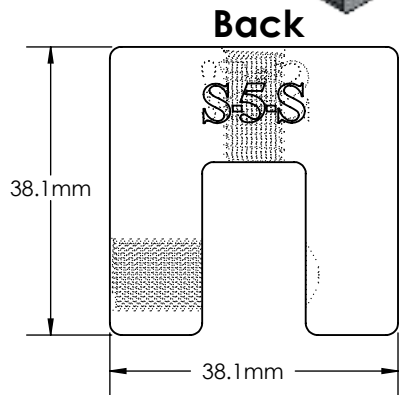
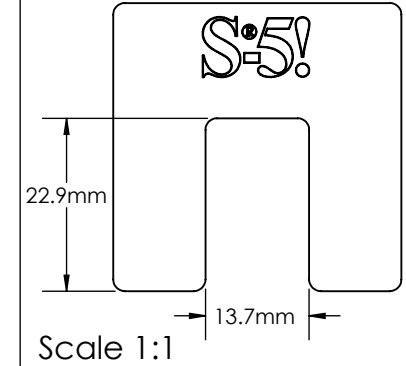
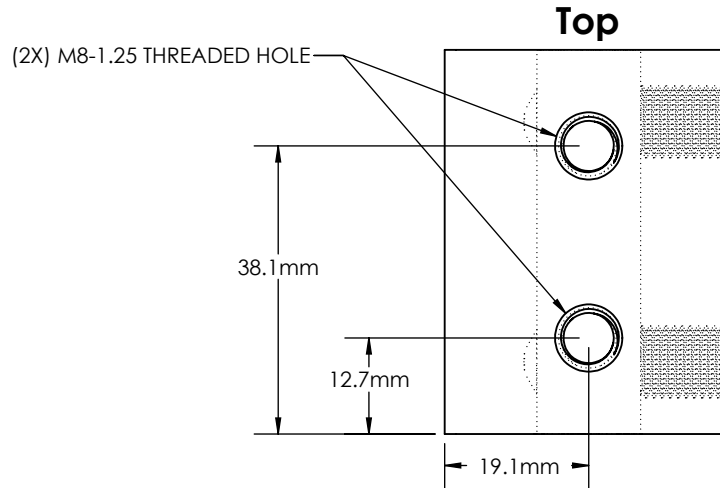
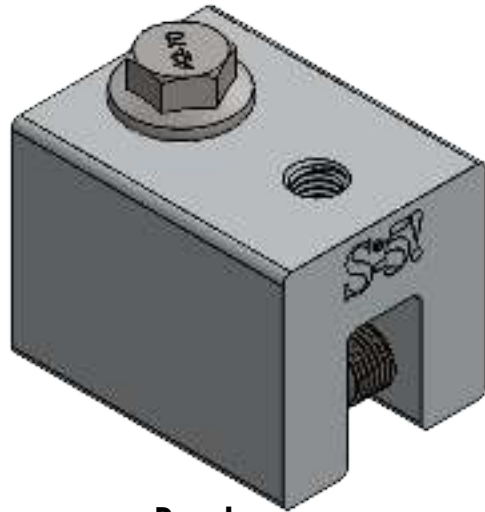
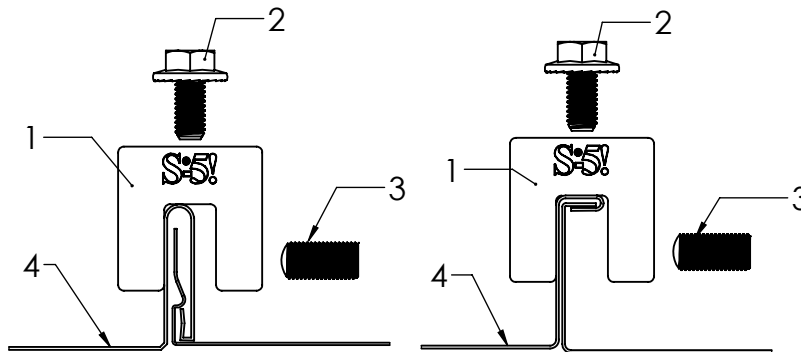


S-5-S



General Notes:

1. S-5-S Clamp
2. M8-1.25 Stainless Steel Hex Flange Bolt (13mm Socket)
3. 3/8-24 Stainless Steel Round Point Setscrew (3/16 Hex Drive)
4. Example roof



FOR STANDING SEAM SPECIFIC MECHANICAL LOAD TEST INFORMATION AND CLAMP INSTALLATION INFORMATION PLEASE VISIT: WWW.S-5.COM

MATERIAL: 6061 T6 Al	 The Right Way!		METAL ROOF INNOVATIONS, LTD.	
EST ASSEMBLY WEIGHT: 178.49 g			8655 TABLE BUTTE RD COLORADO SPRINGS, CO 80908 719-495-0518 719-495-0045(FAX)	
SUPPLIED HARDWARE: M8-1.25 x 16 mm Bolt (2X) 3/8-24 x .800" Setscrews	TITLE S-5-S			
SCALE: 1:1	DRAWING NO. S08-A-8-D	DRAWN BY Kati Kaddakas	DATE 4/11/2016	
EST. WEIGHT: Clamp: 147.42 g Setscrew: 7.71 g Bolt: 15.65 g	S-5!® PRODUCTS ARE PROTECTED BY MULTIPLE U.S. AND FOREIGN PATENTS. VISIT OUR WEBSITE AT WWW.S-5.COM FOR COMPLETE INFORMATION ON PATENTS AND TRADEMARKS.			