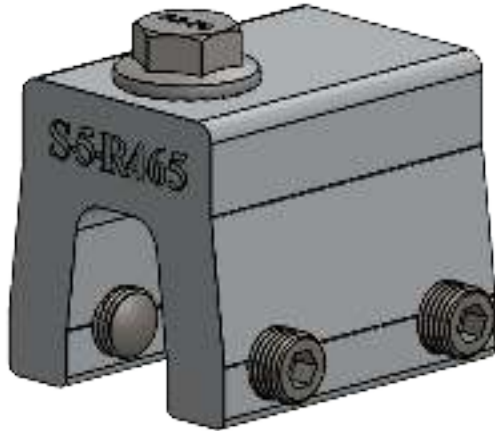
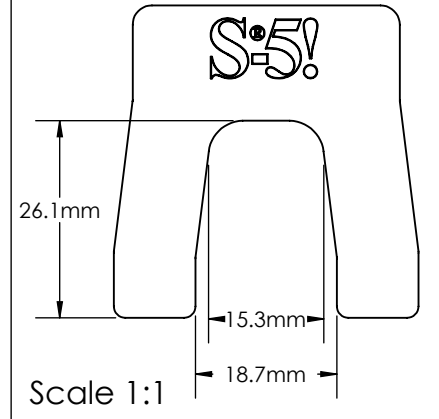
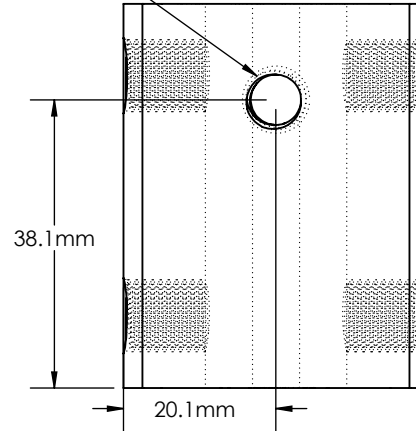


# S-5-R465

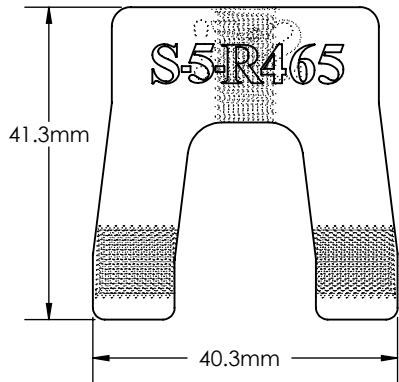


M8-1.25 THREADED HOLE

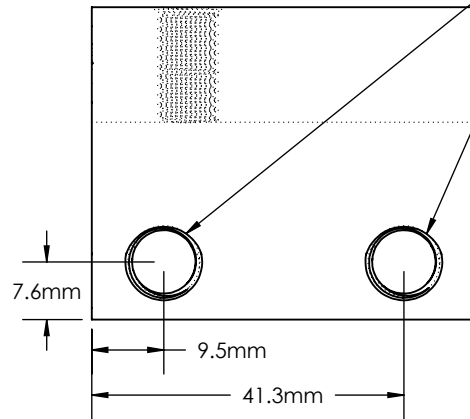
Top



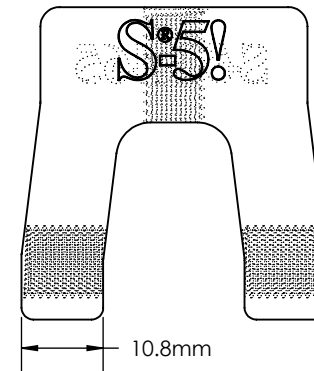
Back



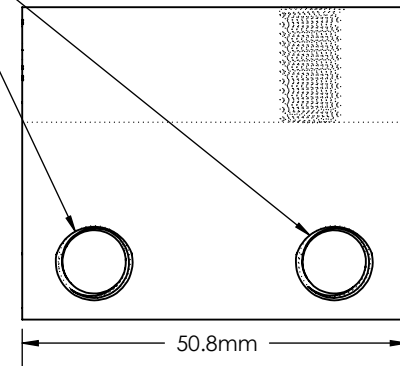
Left



Front

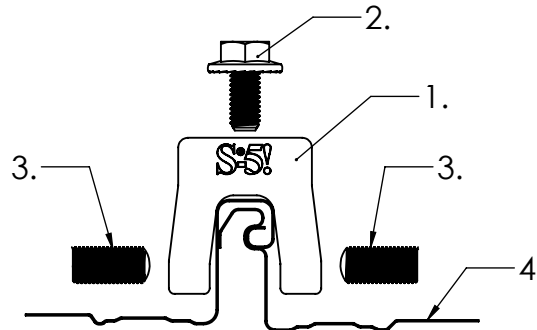


Right



**General Notes:**

1. S-5-R465 Clamp
2. M8-1.25 Stainless Steel Hex Flange Bolt (13mm Socket)
3. 3/8-24 Stainless Steel Round Point Setscrew (3/16 Hex Drive)
4. Example roof



**FOR STANDING SEAM SPECIFIC MECHANICAL LOAD TEST INFORMATION AND CLAMP INSTALLATION INFORMATION PLEASE VISIT: [WWW.S-5.COM](http://WWW.S-5.COM)**

MATERIAL: 6061 T6 Al	 METAL ROOF INNOVATIONS, LTD. 8655 TABLE BUTTE RD COLORADO SPRINGS, CO 80908 719-495-0518 719-495-0045(FAX)		
EST ASSEMBLY WEIGHT: 187.56 g			
SUPPLIED HARDWARE: M8-1.25 x 16 mm Bolt (4X) 3/8-24 x .800" Setscrews	TITLE S-5-R465		
SCALE: 1:1	DRAWING NO. RR465-A-3-C	DRAWN BY Paul Leitch	DATE 5/22/2017
EST. WEIGHT: Clamp: 141.07 g Setscrew: 7.71 g Bolt: 15.65 g	S-5!® PRODUCTS ARE PROTECTED BY MULTIPLE U.S. AND FOREIGN PATENTS. VISIT OUR WEBSITE AT <a href="http://WWW.S-5.COM">WWW.S-5.COM</a> FOR COMPLETE INFORMATION ON PATENTS AND TRADEMARKS.		