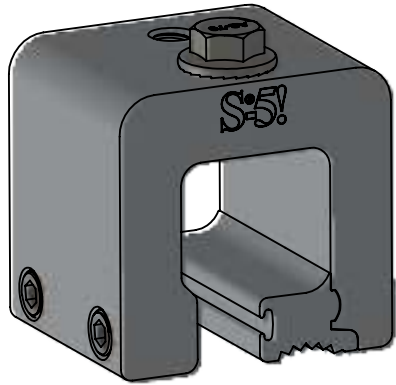
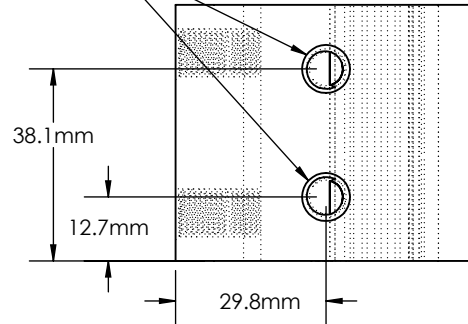


S-5-Q



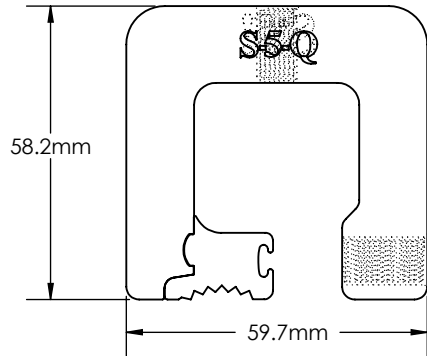
(2X) M8-1.25 Threaded Hole

Top

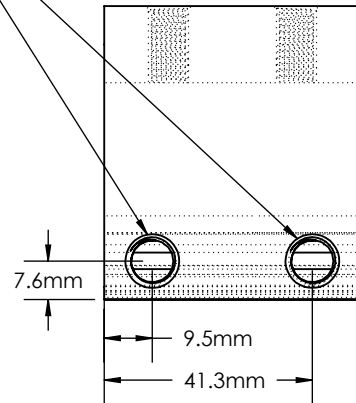


(2X) 3/8-24 Threaded Hole

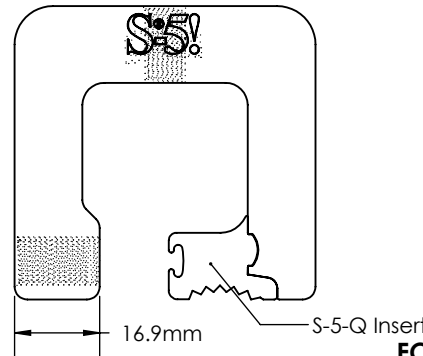
Back



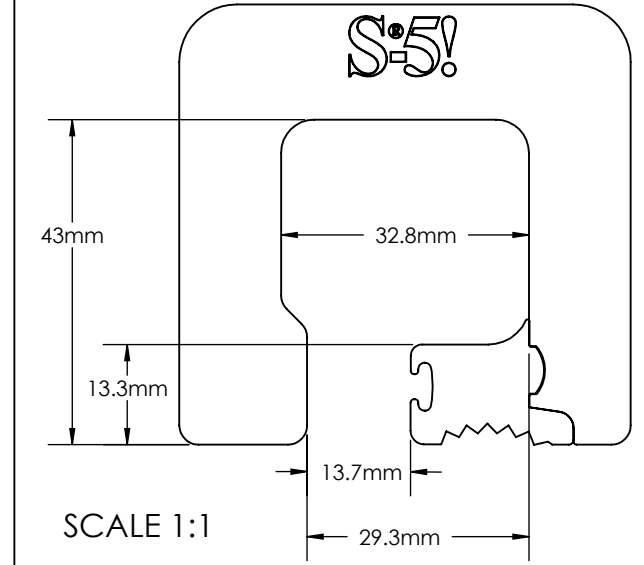
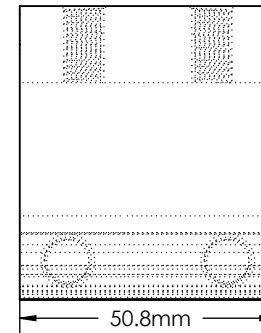
Left



Front



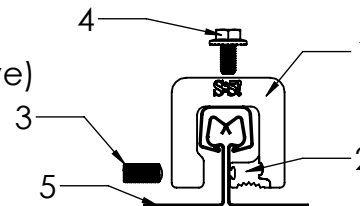
Right




SCALE 1:1

General Notes:

1. S-5-Q Clamp
2. S-5-Q Insert
3. 3/8-24 Stainless Steel Round Point Setscrew (3/16 Hex Drive)
4. M8-1.25 Stainless Steel Hex Flange Bolt (13mm Socket)
5. Example roof



FOR STANDING SEAM SPECIFIC MECHANICAL LOAD TEST INFORMATION AND CLAMP INSTALLATION INFORMATION PLEASE VISIT: WWW.S-5.COM

MATERIAL: 6061 T6 Al			METAL ROOF INNOVATIONS, LTD. 8655 TABLE BUTTE RD COLORADO SPRINGS, CO 80908 719-495-0518 719-495-0045(FAX)	
EST ASSEMBLY WEIGHT: 333.39 g			TITLE S-5-Q	
SUPPLIED HARDWARE: M8-1.25 x 1.6 mm Bolt (2x) 3/8-24 x .800" Setscrews	DRAWING NO. Q03-A-3-B	DRAWN BY Kati Kadakas		
SCALE: 1:1.5	EST. WEIGHT: Clamp: 272.84 g Insert: 29.48 g Setscrew: 7.71 g Bolt: 15.65 g			
S-5!® PRODUCTS ARE PROTECTED BY MULTIPLE U.S. AND FOREIGN PATENTS. VISIT OUR WEBSITE AT WWW.S-5.COM FOR COMPLETE INFORMATION ON PATENTS AND TRADEMARKS.				