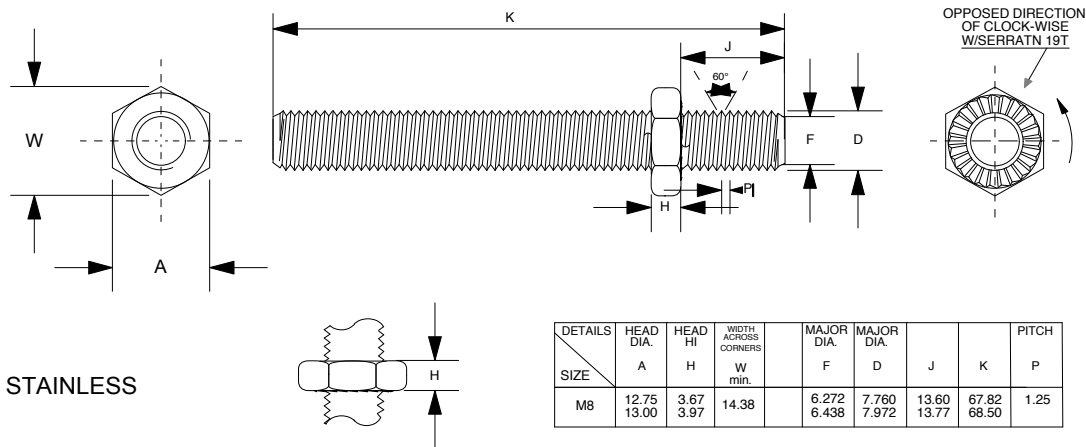
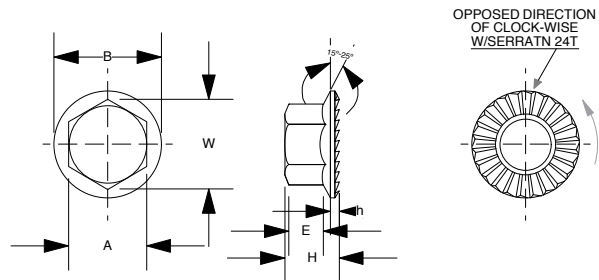
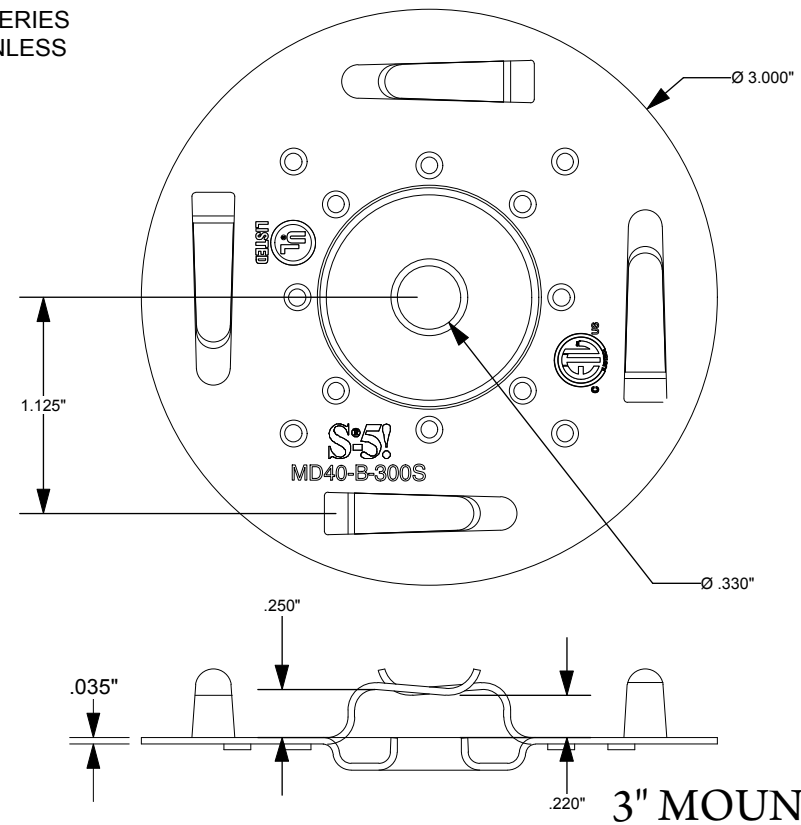


UNIVERSAL PV STUD



300 SERIES STAINLESS

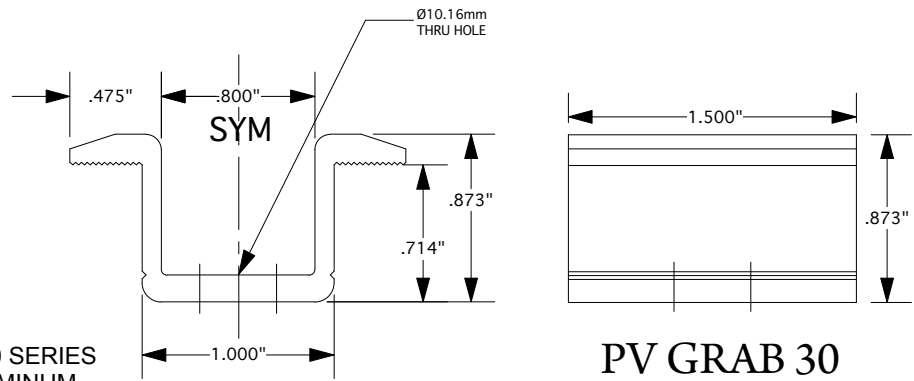
300 SERIES STAINLESS



DETAILS	HEAD DIA.	HEAD HI	E min.	h min.	W min.	WASHER DIA.
SIZE	A	H				B
M8	12.75 13.00	7.85 8.35	3.20	1.50	14.28	17.00 18.00

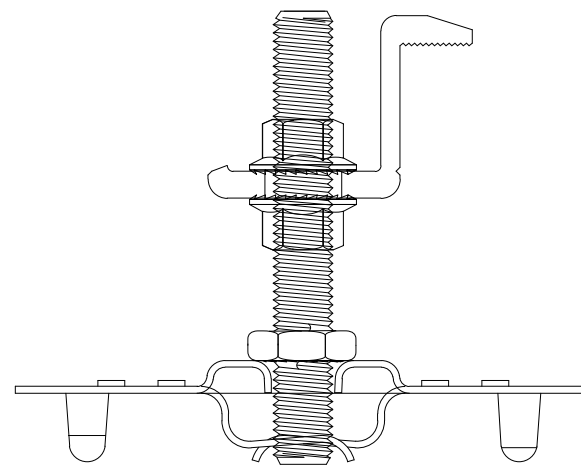
M8 HEX FLANGE NUT

300 SERIES STAINLESS

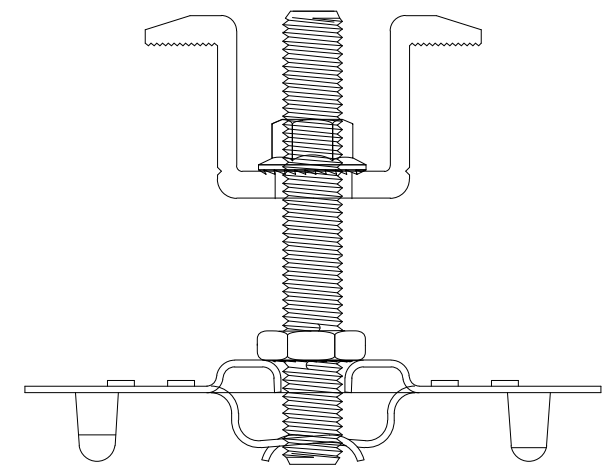


6000 SERIES ALUMINUM

PV GRAB 30




ASSEMBLED EDGE CONDITION



ASSEMBLED MID CONDITION

S-5-PV KIT ASSEMBLES TO ANY S-5 MINI CLAMP

S-5!® PRODUCTS ARE PROTECTED BY MULTIPLE U.S. AND EUROPEAN PATENTS. METAL ROOF INNOVATIONS, LTD. (LICENSOR OF S-5!® TECHNOLOGY) AGGRESSIVELY PROSECUTES PATENT INFRINGEMENT.

FINISH:	 <p>Unprecedented Innovation Unmatched Quality Unbelievable Price</p>		
CUT LENGTH:			
ALLOY:			
EST. AREA:			
EST. WT/FT:	TITLE		
S-5! ATTACHMENT SOLUTIONS METAL ROOF INNOVATIONS, LTD. 8655 TABLE BUTTE ROAD COLORADO SPRINGS, CO 80908 (888) 825-3432 (719) 495-0045 (FAX)	PV Kit 30 Components CCD v2012		
	DRAWING NO.	DRAWN BY	DATE
		DMMH	10/25/2011
	SCALE 1:1	FILE NAME CCD	