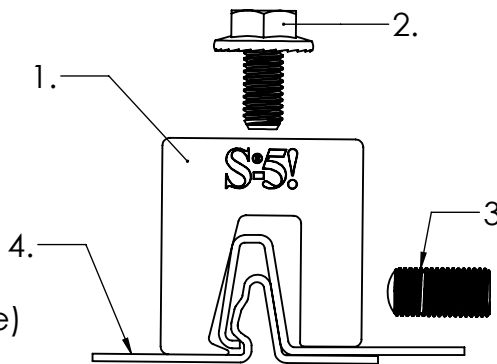
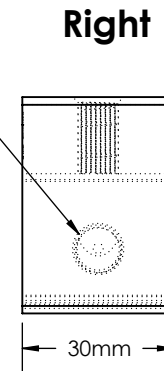
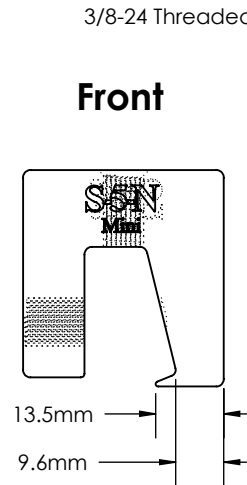
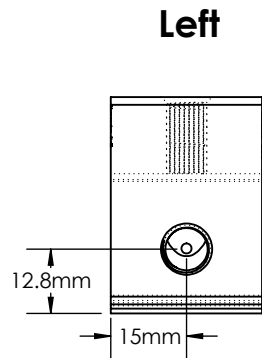
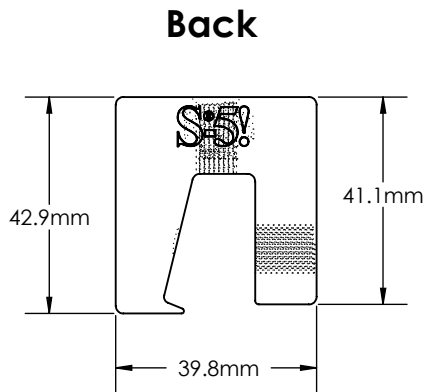
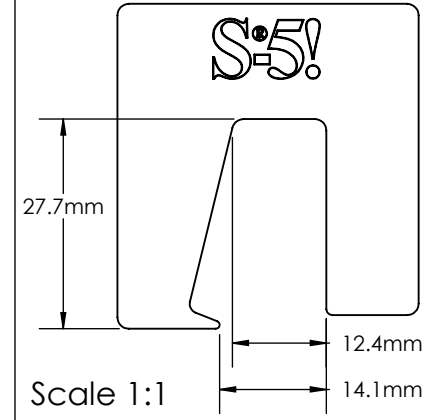
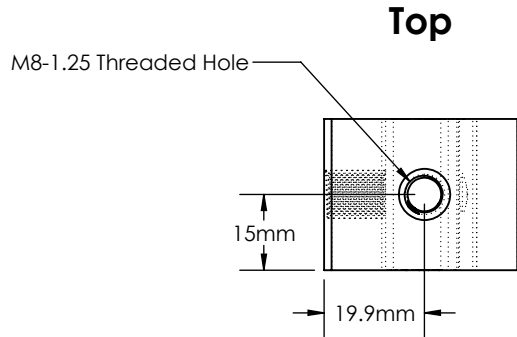
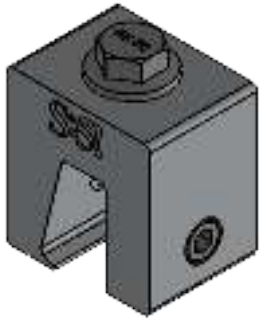


S-5-N Mini



General Notes:

1. S-5-N Mini Clamp
2. M8-1.25 SS Hex Flange Bolt (13mm Socket)
3. 3/8-24 SS Round Point Setscrew (3/16 Hex Drive)
4. Example Roof

FOR STANDING SEAM SPECIFIC MECHANICAL LOAD TEST INFORMATION AND CLAMP INSTALLATION INFORMATION PLEASE VISIT: WWW.S-5.COM

MATERIAL: 6061 T6 Al	 The Right Way!		METAL ROOF INNOVATIONS, LTD.	
EST ASSEMBLY WEIGHT: 121.34 g			8655 TABLE BUTTE RD COLORADO SPRINGS, CO 80908 719-495-0518 719-495-0045(FAX)	
SUPPLIED HARDWARE: M8-1.25 x 16 mm Bolt 3/8-24 x .800" Setscrew	TITLE S-5-N Mini			
SCALE: 1:1.5	DRAWING NO. N72-A-1-D	DRAWN BY Paul Leitch	DATE 5/12/2017	
EST. WEIGHT: Clamp: 97.98 g Setscrew: 7.71 g Bolt: 15.65 g	S-5!® PRODUCTS ARE PROTECTED BY MULTIPLE U.S. AND FOREIGN PATENTS. VISIT OUR WEBSITE AT WWW.S-5.COM FOR COMPLETE INFORMATION ON PATENTS AND TRADEMARKS.			