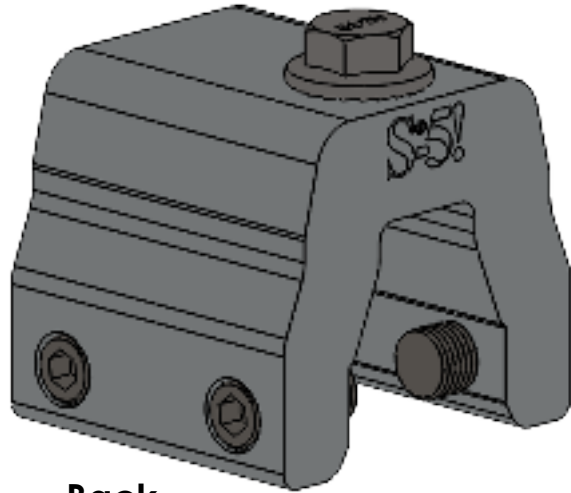
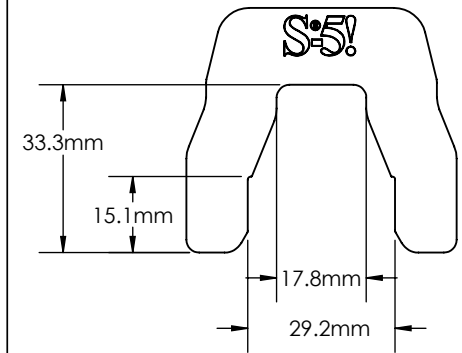
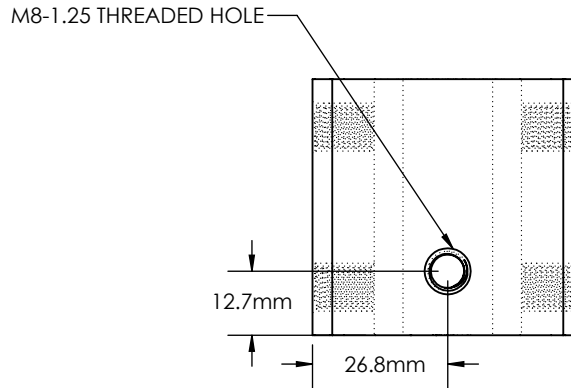


S-5-KHD

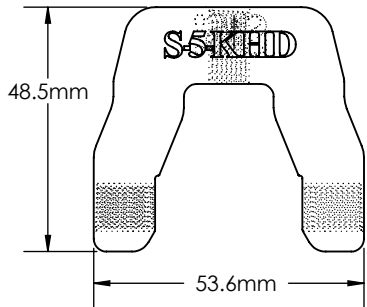


Top

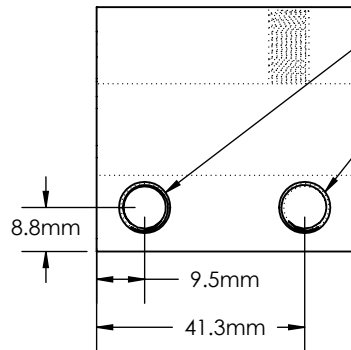


Scale 2:3

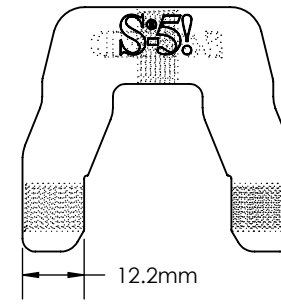
Back



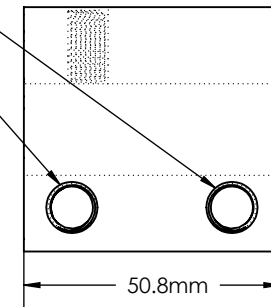
Left



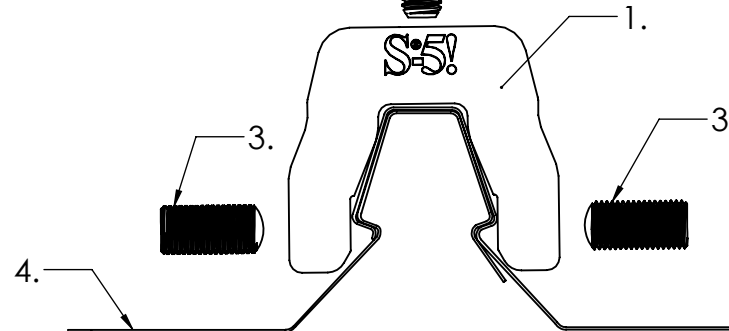
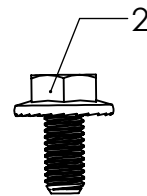
Front



Right



(4x) 3/8-24 Threaded Holes



General Notes:

1. S-5-KHD Clamp
2. M8-1.25 Stainless Steel Hex Flange Bolt (13mm Socket)
3. 3/8-24 Stainless Steel Round Point Setscrew (3/16 Hex Drive)
4. Example roof

FOR STANDING SEAM SPECIFIC MECHANICAL LOAD TEST INFORMATION AND CLAMP INSTALLATION INFORMATION PLEASE VISIT: WWW.S-5.COM

MATERIAL: 6061 T6 Al		 The Right Way! METAL ROOF INNOVATIONS, LTD. 8655 TABLE BUTTE RD COLORADO SPRINGS, CO 80908 719-495-0518 719-495-0045(FAX)	
EST ASSEMBLY WEIGHT: 242.44 g			
SUPPLIED HARDWARE: M8-1.25 x 16 mm Bolt (4x) 3/8-24 x .800" Setscrews		TITLE S-5-KHD	
SCALE: 2:3	DRAWING NO. KHD74-A-8-B	DRAWN BY Paul Leitch	DATE 5/22/2017
EST. WEIGHT: Clamp: 195.95 g Bolt: 15.65 g Setscrew: 7.71 g		S-5!® PRODUCTS ARE PROTECTED BY MULTIPLE U.S. AND FOREIGN PATENTS. VISIT OUR WEBSITE AT WWW.S-5.COM FOR COMPLETE INFORMATION ON PATENTS AND TRADEMARKS.	