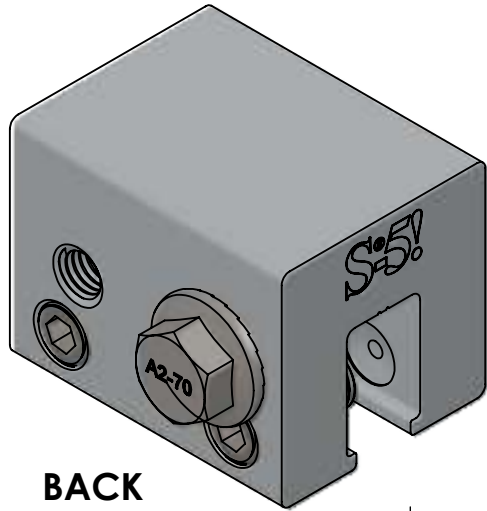
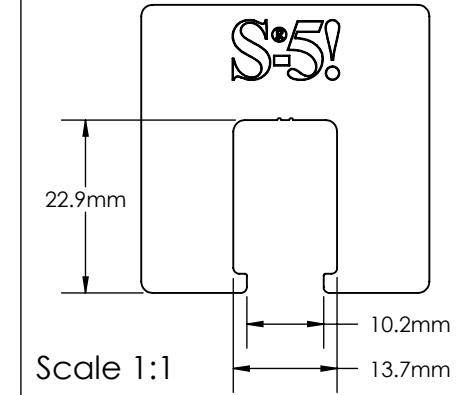
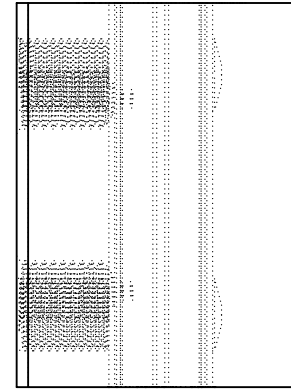


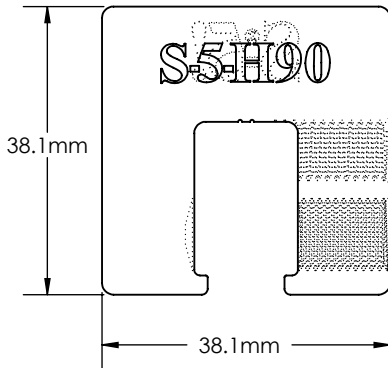
S-5-H90



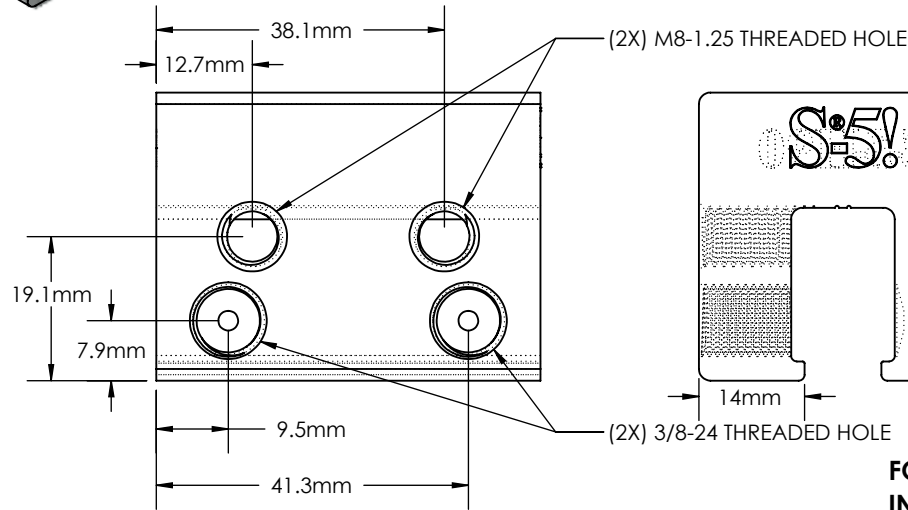
TOP



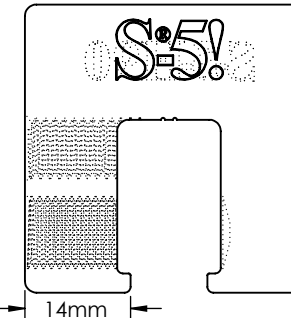
BACK



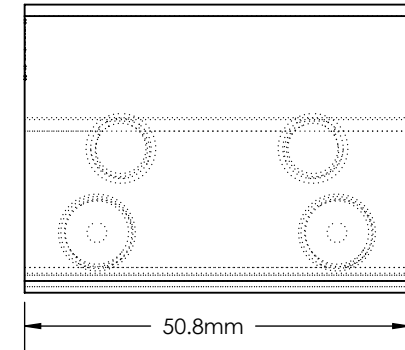
LEFT



FRONT

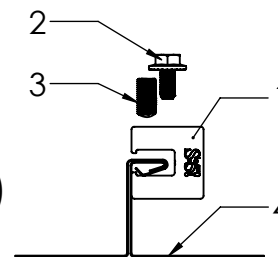


RIGHT



General Notes:

1. S-5-H90 Clamp
2. M8-1.25 Stainless Steel Hex Flange Bolt (13mm Socket)
3. 3/8-24 Stainless Steel Round Point Setscrew (3/16 Hex Drive)
4. Example roof



FOR STANDING SEAM SPECIFIC MECHANICAL LOAD TEST INFORMATION AND CLAMP INSTALLATION INFORMATION PLEASE VISIT: WWW.S-5.COM

MATERIAL: 6061 T6 Al			METAL ROOF INNOVATIONS, LTD. 8655 TABLE BUTTE RD COLORADO SPRINGS, CO 80908 719-495-0518 719-495-0045(FAX)	
EST ASSEMBLY WEIGHT: 179.62 g			TITLE S-5-H90	
SUPPLIED HARDWARE: M8-1.25 x 16 mm HEX Bolt (2x) 3/8-24 x .800" Setscrews		DRAWING NO. U11-B-14-C	DRAWN BY Kati Kadakas	DATE 7/8/2016
SCALE: 1:1		EST. WEIGHT: Clamp: 148.55 g Setscrew: 7.71 g Bolt: 15.65 g		
<small>S-5!® PRODUCTS ARE PROTECTED BY MULTIPLE U.S. AND FOREIGN PATENTS. VISIT OUR WEBSITE AT WWW.S-5.COM FOR COMPLETE INFORMATION ON PATENTS AND TRADEMARKS.</small>				