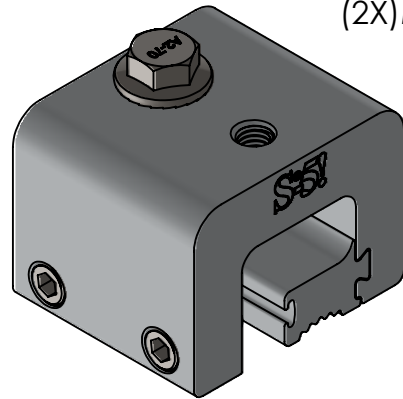
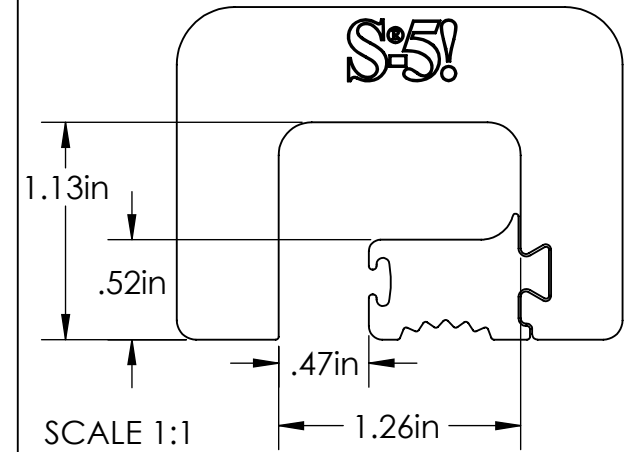
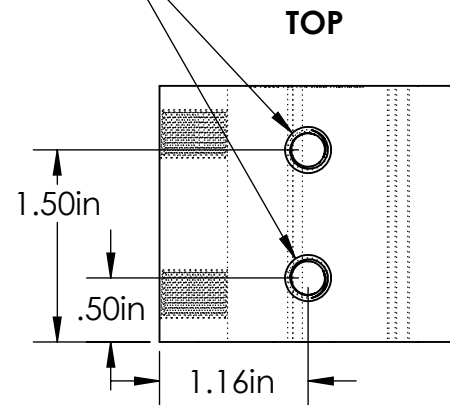


S-5-H



(2X) M8-1.25 Threaded Hole



SCALE 1:1

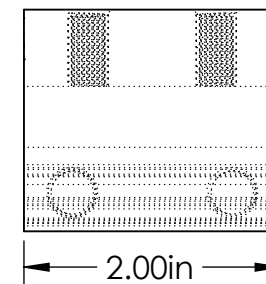
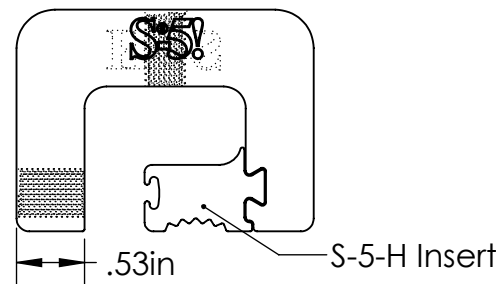
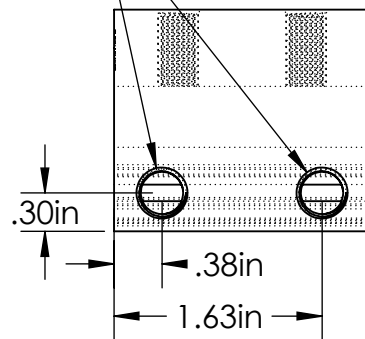
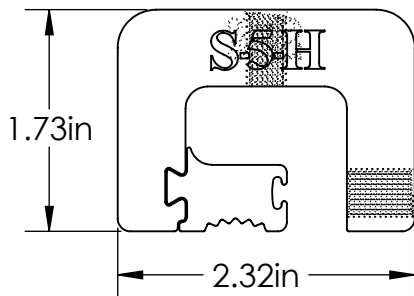
(2X) 3/8-24 Threaded Hole

BACK

LEFT

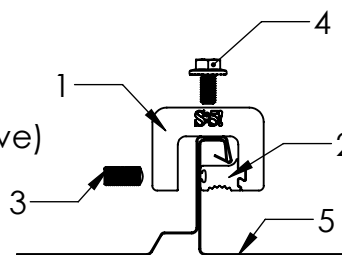
FRONT

RIGHT



General Notes:

1. S-5-H Clamp
2. S-5-H Insert
3. 3/8-24 Stainless Steel Round Point Setscrew (3/16 Hex Drive)
4. M8-1.25 Stainless Steel Hex Flange Bolt (13mm Socket)
5. Example roof



FOR STANDING SEAM SPECIFIC MECHANICAL LOAD TEST INFORMATION AND CLAMP INSTALLATION INFORMATION PLEASE VISIT: WWW.S-5.COM

MATERIAL: 6061 T6	 METAL ROOF INNOVATIONS, LTD. 8655 TABLE BUTTE RD COLORADO SPRINGS, CO 80908 719-495-0518 719-495-0045(FAX)		
EST ASSEMBLY WEIGHT 0.615 lbs			
SUPPLIED HARDWARE: M8-1.25 x 16 mm Bolt (2x) 3/8-24 x .800" Setscrews	TITLE S-5-H		
SCALE: 1:1.5	DRAWING NO. H26-A-0-D	DRAWN BY Kati Kadakas	DATE 7/17/2016
EST. WEIGHT: Clamp: 0.4685 lbs Insert: 0.0775 lbs Setscrew: 0.0170 lbs Bolt: 0.0345 lbs	S-5!® PRODUCTS ARE PROTECTED BY MULTIPLE U.S. AND FOREIGN PATENTS. VISIT OUR WEBSITE AT WWW.S-5.COM FOR COMPLETE INFORMATION ON PATENTS AND TRADEMARKS.		