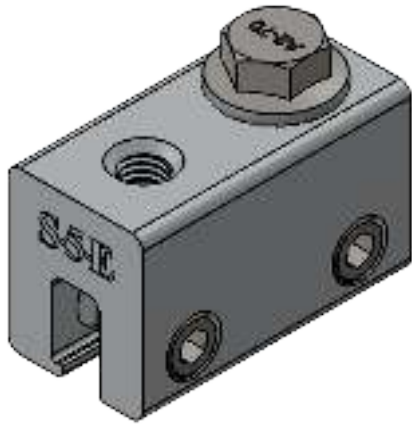
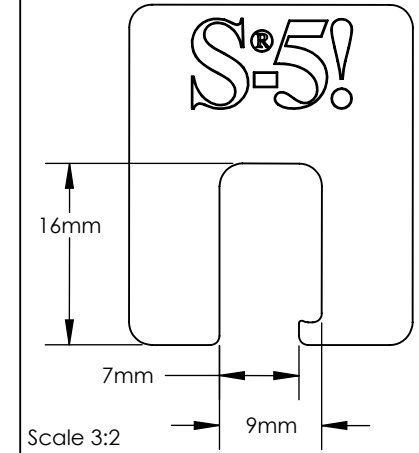
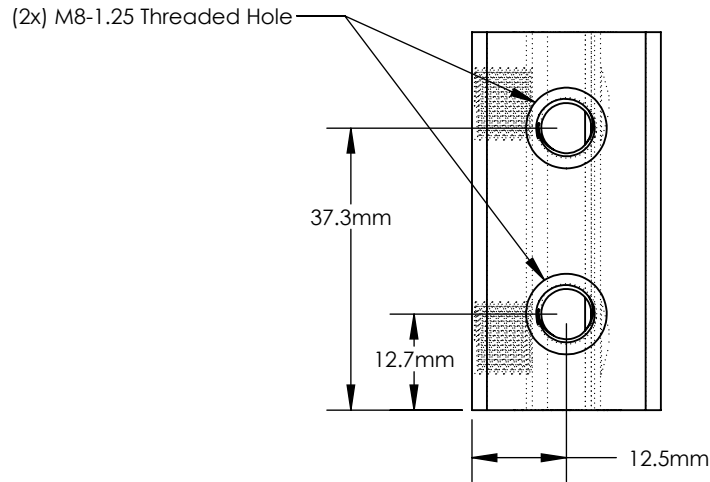


# S-5-E

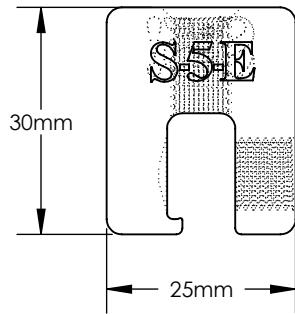


Top

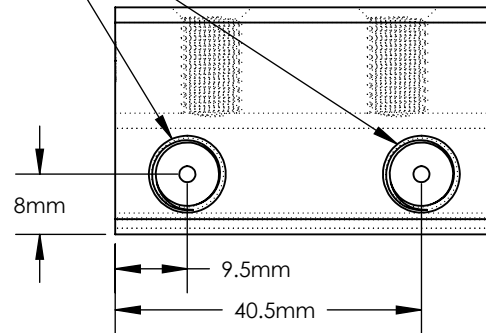


(2x) 3/8-24 Threaded Hole

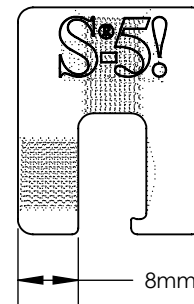
Back



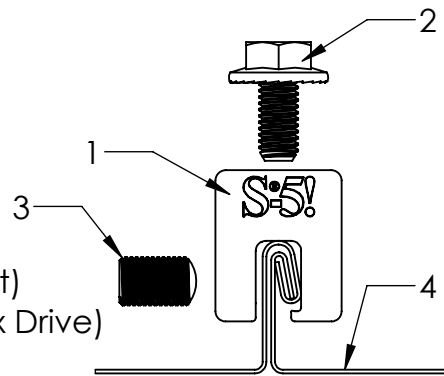
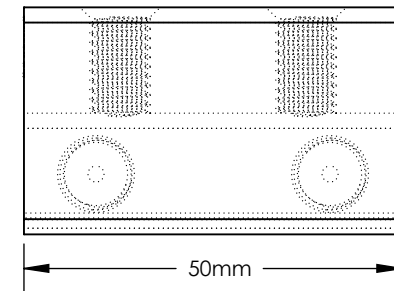
Left



Front




Right



**FOR STANDING SEAM SPECIFIC MECHANICAL LOAD TEST INFORMATION AND CLAMP INSTALLATION INFORMATION PLEASE VISIT: [WWW.S-5.COM](http://WWW.S-5.COM)**

General Notes:

1. S-5-E Clamp
2. M8-1.25 Stainless Steel Hex Flange Bolt (13mm Socket)
3. 3/8-24 Stainless Steel Round Point Setscrew (3/16 Hex Drive)
4. Example roof

MATERIAL: 6061 T6 Al		METAL ROOF INNOVATIONS, LTD. 8655 TABLE BUTTE RD COLORADO SPRINGS, CO 80908 719-495-0518 719-495-0045(FAX)	
EST ASSEMBLY WEIGHT: 100.45 g		TITLE S-5-E	
SUPPLIED HARDWARE: M8-1.25 x 16 mm Bolt (2x) 3/8-24 x .500" Setscrews	DRAWING NO. E03-B-18-D	DRAWN BY Kati Kadakas	DATE 10/17/2016
SCALE: 1:1	EST. WEIGHT: Clamp: 74.61 g Setscrew: 9.52 g Bolt: 16.32 g		
S-5!® PRODUCTS ARE PROTECTED BY MULTIPLE U.S. AND FOREIGN PATENTS. VISIT OUR WEBSITE AT <a href="http://WWW.S-5.COM">WWW.S-5.COM</a> FOR COMPLETE INFORMATION ON PATENTS AND TRADEMARKS.			