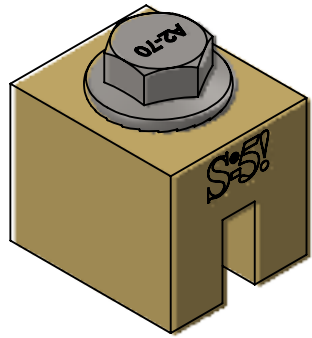
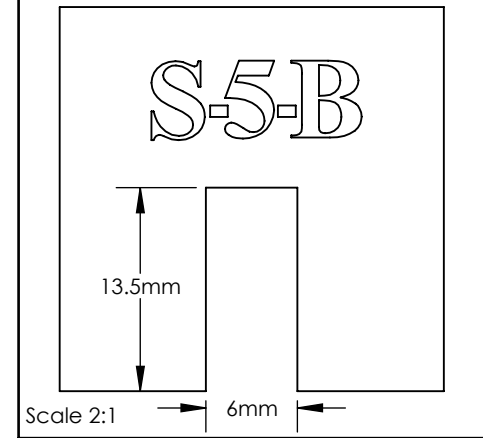
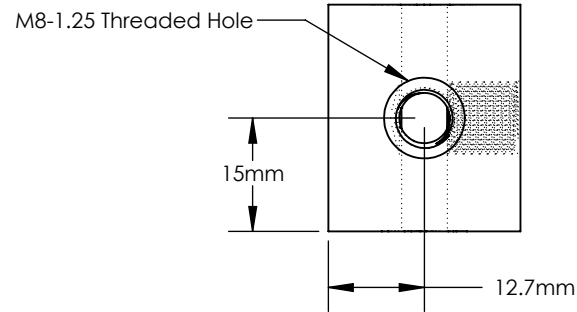


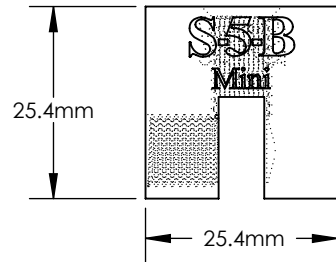
# S-5-B Mini



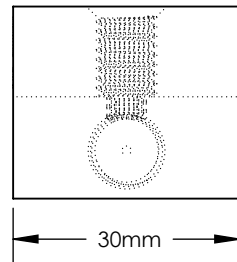
## Top



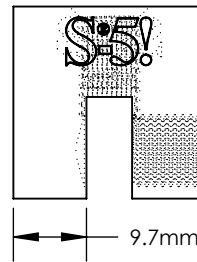
## Back



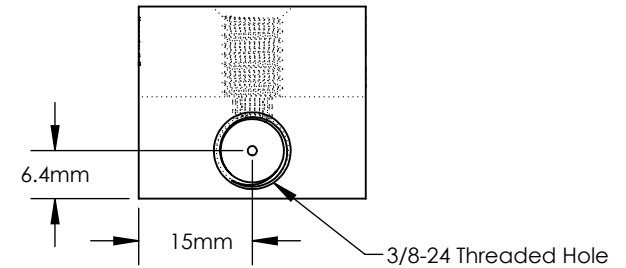
## Left



## Front

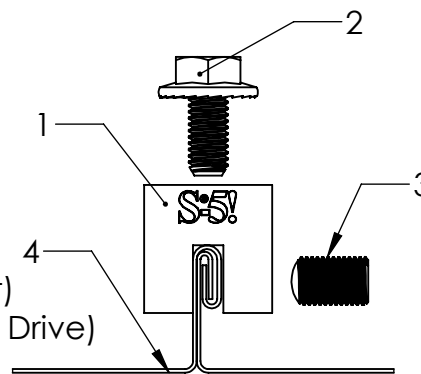


## Right



### General Notes:

1. S-5-B Mini Clamp
2. M8-1.25 Stainless Steel Hex Flange Bolt (13mm Socket)
3. 3/8-24 Stainless Steel Round Point Setscrew (3/16 Hex Drive)
4. Example roof



**FOR STANDING SEAM SPECIFIC MECHANICAL LOAD TEST INFORMATION AND CLAMP INSTALLATION INFORMATION PLEASE VISIT: [WWW.S-5.COM](http://WWW.S-5.COM)**

MATERIAL: BRASS	 METAL ROOF INNOVATIONS, LTD. 8655 TABLE BUTTE RD COLORADO SPRINGS, CO 80908 719-495-0518 719-495-0045(FAX)		
EST ASSEMBLY WEIGHT: 154.00 g			
SUPPLIED HARDWARE: M8-1.25 x 16 mm Bolt 3/8-24 x .500" Setscrew	TITLE S-5-B Mini		
SCALE: 1:1	DRAWING NO. B02-A-3-C	DRAWN BY Kati Kadakas	DATE 4/11/2016
EST. WEIGHT: Clamp: 133.81 g Setscrew: 4.54 g Bolt: 15.65 g	S-5!® PRODUCTS ARE PROTECTED BY MULTIPLE U.S. AND FOREIGN PATENTS. VISIT OUR WEBSITE AT <a href="http://WWW.S-5.COM">WWW.S-5.COM</a> FOR COMPLETE INFORMATION ON PATENTS AND TRADEMARKS.		