

RibBracket I

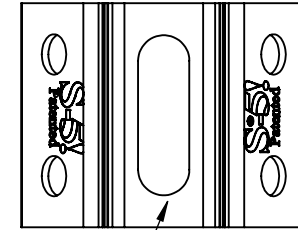
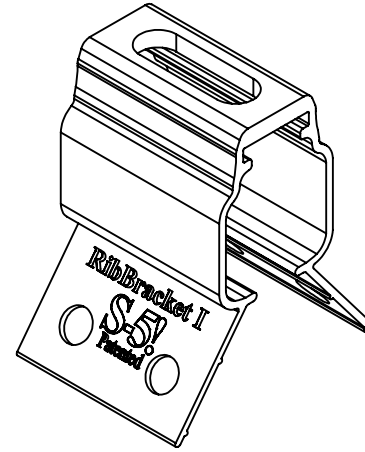
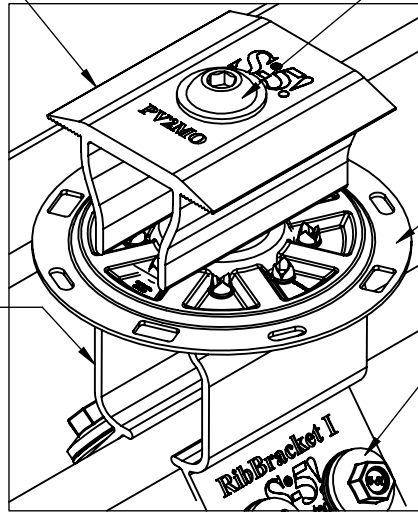
PV 2.0 Optimized Midgrab

M8-1.25 x 26 mm
Stainless Steel Flanged
Button Head Screw

PV Disk 2.0

RibBracket I

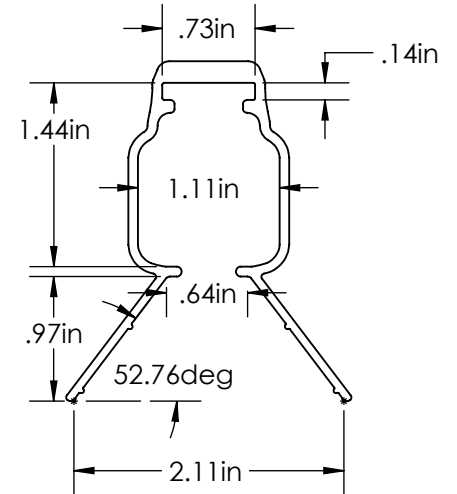
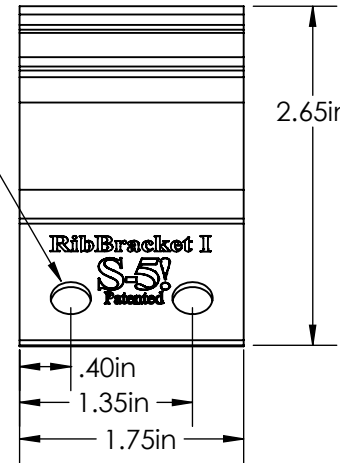
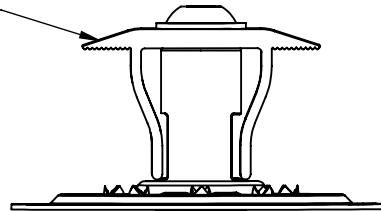
(4x) 1/4" Diameter 1" Length
5/16" Hex Screw



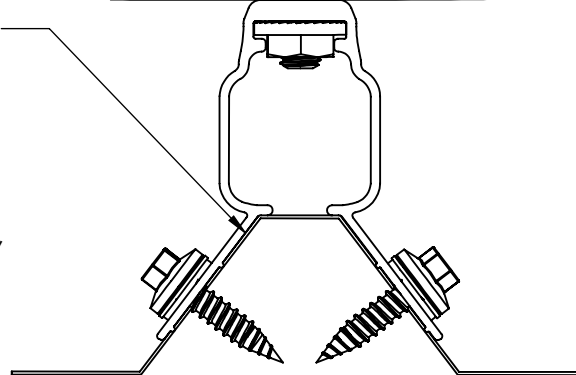
0.4" x 1.25"
Slotted Hole

PV Kit 2.0
Optimized MidGrab

(4x) diameter .31 in




HPM Custom 4-Rib



Designed to fit popular Hawaiian profiles such as HPM Custom 4-Rib, HPM Custom 6-Rib, and other similarly dimensioned profiles.

FOR STANDING SEAM SPECIFIC MECHANICAL LOAD TEST INFORMATION AND CLAMP INSTALLATION INFORMATION PLEASE VISIT: WWW.S-5.COM

MATERIAL: 6005A T61			METAL ROOF INNOVATIONS, LTD. 8655 TABLE BUTTE RD COLORADO SPRINGS, CO 80908 719-495-0518 719-495-0045(FAX)	
EST ASSEMBLY WEIGHT 0.176 lbs				
SUPPLIED HARDWARE: M8-1.25 Flange Nut (4x) 1/4"-1" Stainless Steel Self-Tapping Screw with 5/16" Hex Head	TITLE RibBracket I [CCD]			
SCALE: 2:3	DRAWING NO. HI-A-0-A	DRAWN BY Jesse Winternitz	DATE 4/2/2018	
WEIGHTS: Bracket: 0.0890 lbs Screw: 0.0180 lbs Nut: 0.0145 lbs	S-5!® PRODUCTS ARE PROTECTED BY MULTIPLE U.S. PATENTS INCLUDING 5,228,248, 5,983,588 AND 6,164,033 (OTHERS ISSUED AND PENDING). EUROPEAN PATENTS ARE ALSO APPLIED FOR AND PENDING UNDER THE PATENT COOPERATION TREATY WITH DIVISIONAL FILING RIGHTS RETAINED. METAL ROOF INNOVATIONS, LTD. (LICENSOR OF S-5!® TECHNOLOGY) AGGRESSIVELY PROSECUTES PATENT INFRINGEMENT.			