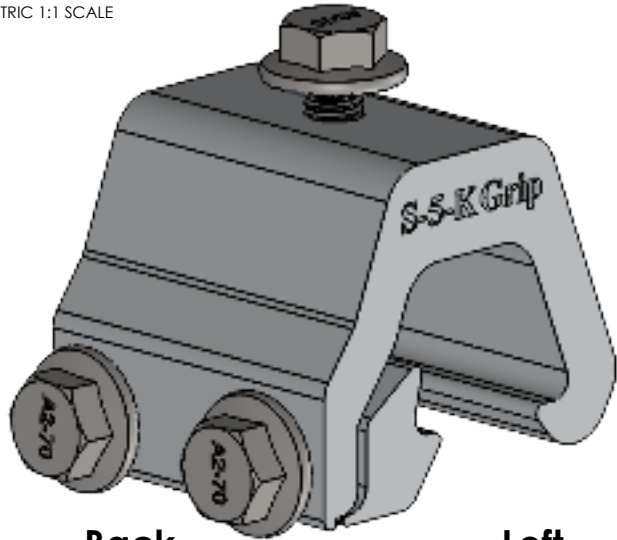


# S-5-K Grip

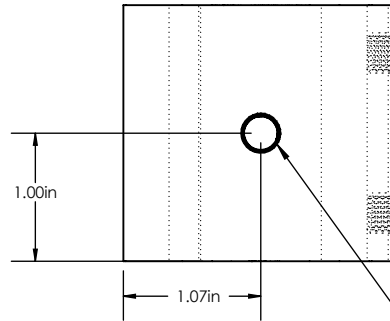
ISOMETRIC 1:1 SCALE



Back

Left

Top

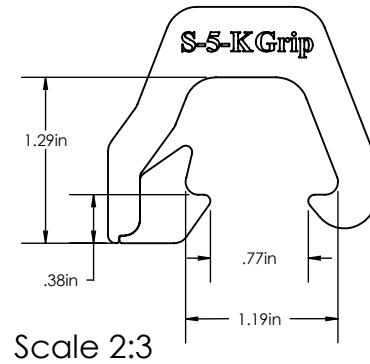


(3x) M8-1.25 THREADED HOLE

Front

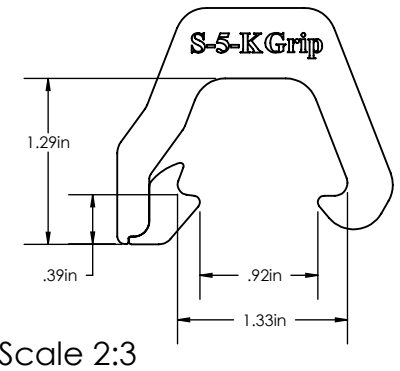
Right

S-5-K Grip with GX 10 Insert

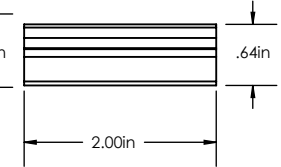
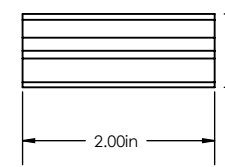
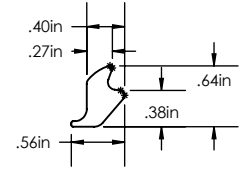
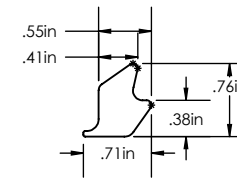
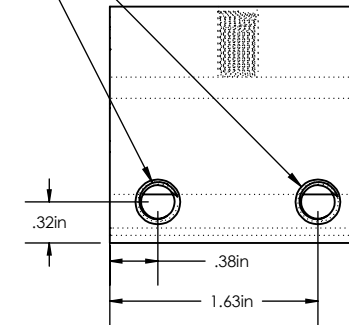
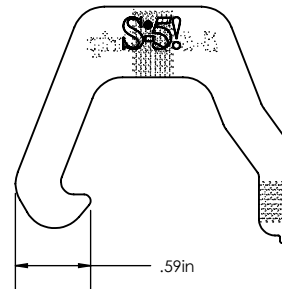
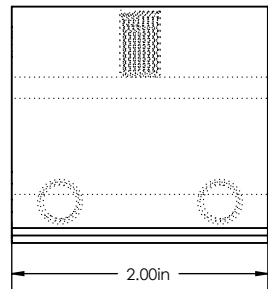
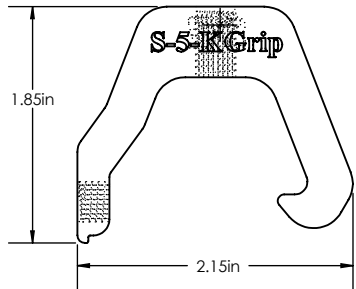


Scale 2:3

S-5-K Grip with GX 50 Insert



Scale 2:3



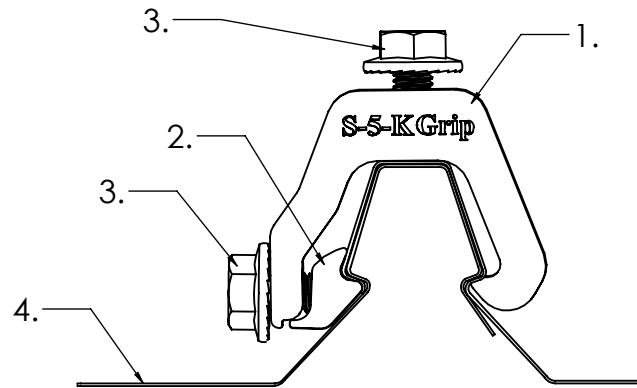
Fits with **S-5-GX 10** insert:  
 LYSAGHT KLIP-LOK® 406  
 McElroy Metal Mirage  
 AEP Span Klip-Rib®  
 Metal Sales Clip-Loc  
 SpeedDeck® SpeedDeck®  
 Safintra Saflok 410  
 Safintra Saflok 700  
 Domico Dach®  
 And other similar profiles

INSERTS ARE 1:2 SCALE

Fits with **S-5-GX 50** insert:  
 LYSAGHT KLIP-LOK Classic® 700  
 LYSAGHT KLIP-LOK 700 Hi-Strength®  
 Stramit® Speed Deck Ultra®  
 Fielders KingKlip® 700  
 And other similar profiles

## General Notes:

1. S-5-K Grip Clamp
2. S-5-K Grip Insert
3. M8-1.25 Stainless Steel Hex Flange Bolt (13 mm Socket)
4. Example Roof



FOR STANDING SEAM SPECIFIC MECHANICAL LOAD TEST INFORMATION AND CLAMP INSTALLATION INFORMATION PLEASE VISIT: [WWW.S-5.COM](http://WWW.S-5.COM)

MATERIAL: 6061 T6 Al
EST ASSEMBLY WEIGHT: With GX 10: 0.453 lbs With GX 50: 0.429 lbs
SUPPLIED HARDWARE: (3x) M8-1.25 x 16 mm Bolt
SCALE: 2:3
EST. WEIGHT: Clamp: 0.311 lbs Bolt: 0.0345 lbs GX 10 Insert: 0.057 lbs GX 50 Insert: 0.033 lbs

	METAL ROOF INNOVATIONS, LTD. 8655 TABLE BUTTE RD COLORADO SPRINGS, CO 80908 719-495-0518 719-495-0045(FAX)		
	TITLE <b>S-5-K Grip</b>		
DRAWING NO. KG47-A-8-C	DRAWN BY Paul Leitch	DATE 5/22/2017	
S-5!® PRODUCTS ARE PROTECTED BY MULTIPLE U.S. AND FOREIGN PATENTS. VISIT OUR WEBSITE AT <a href="http://WWW.S-5.COM">WWW.S-5.COM</a> FOR COMPLETE INFORMATION ON PATENTS AND TRADEMARKS.			