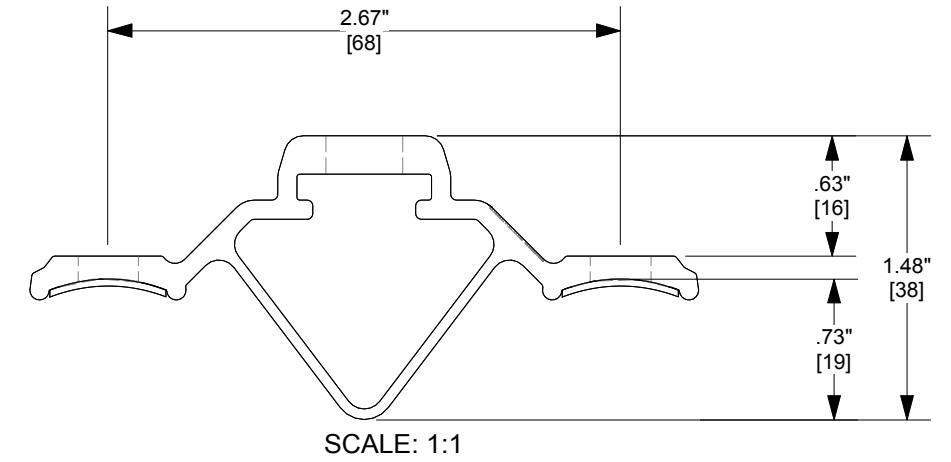
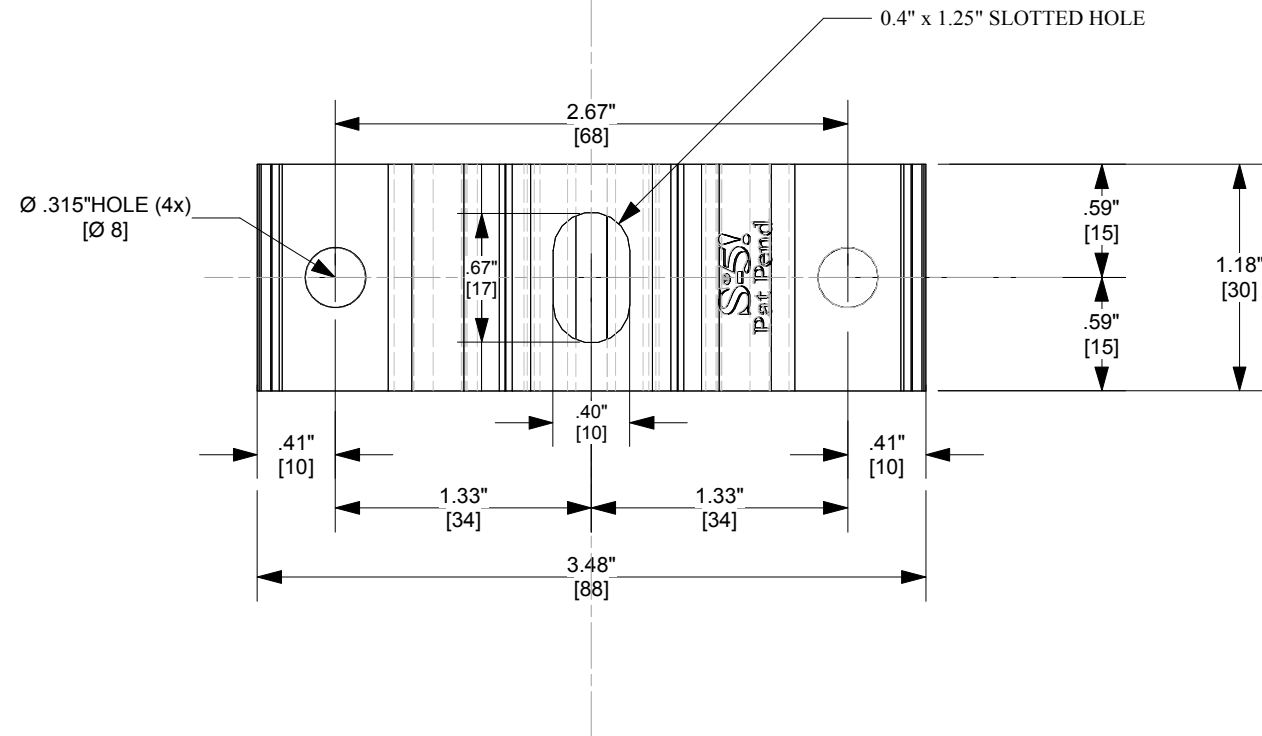
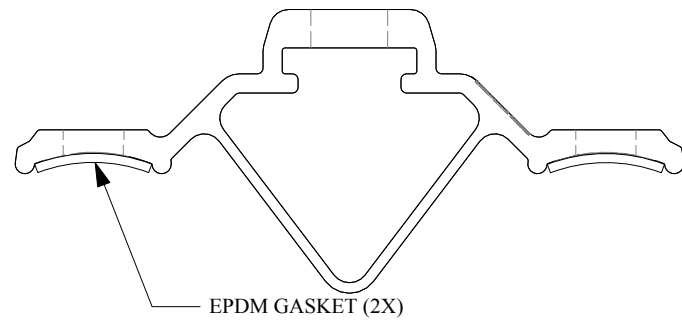


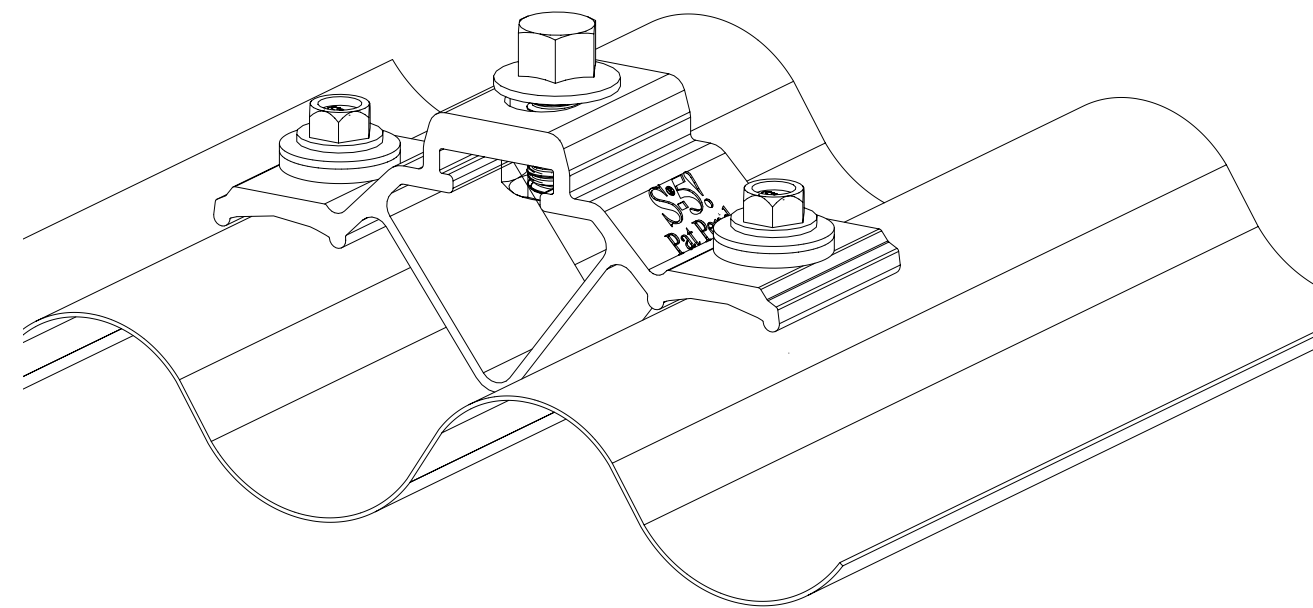
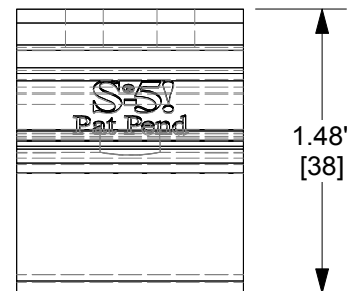
TOP VIEW



END VIEW

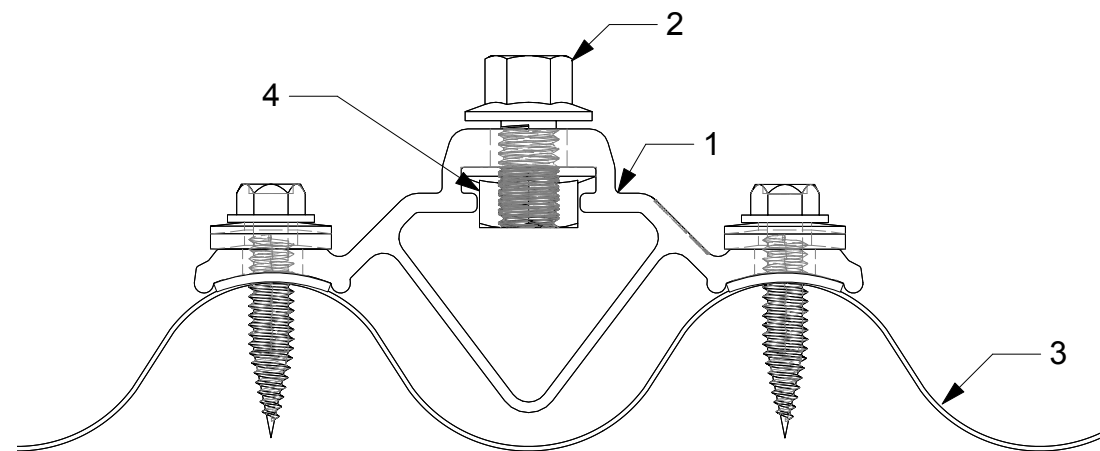



SIDE VIEW



General Notes

1. CorruBracket™ 100T Mini
2. M8-1.25 BOLT
3. PANEL SAMPLE
4. M8 HEX FLANGE NUT



MATERIAL: 6000 SERIES AL	 S-5! The Right Way!			METAL ROOF INNOVATIONS, LTD.		
EST ASSEMBLY WEIGHT : 0.2376 LBS				8655 TABLE BUTTE RD		
SUPPLIED HARDWARE:				719-495-0518		
				719-495-0045 (FAX)		
TITLE S-5! CorruBracket™ 100T Mini						
SCALE: FULL	DRAWING NO. USCBTF46-A-1-A_CCD	DRAWN BY DMMH	DATE 07/24/2014			
OTHER:	S-5!® PRODUCTS ARE PROTECTED BY MULTIPLE U.S. PATENTS INCLUDING 5,228,248, 5,983,588 AND 6,164,033 (OTHERS ISSUED AND PENDING). EUROPEAN PATENTS ARE ALSO APPLIED FOR AND PENDING UNDER THE PATENT COOPERATION TREATY WITH DIVISIONAL FILING RIGHTS RETAINED. METAL ROOF INNOVATIONS, LTD. (LICENSOR OF S-5!® TECHNOLOGY) AGGRESSIVELY PROSECUTES PATENT INFRINGEMENT.					